



“Distributor of Fassi Articulated Cranes”
Maintenance Schedule - SE Cranes – 90 Day
F330SE.24

Crane Model	F330SE.24	Serial Number		Today's Date	
End User Company		Location		Truck/Unit #	
Crane In Service Date		Warranty Period			
Service Provider		Phone		Fax:	
Address		City, State, Zip			
Inspected by (Print Name)		Inspected by (Signature)			

Note: (1) Pump Flow, Pressure Settings, and Operating Times shall be checked with the Truck Engine RPM at the Proper Operating Speed (not at idle), and with the Hydraulic Oil at a Proper Operating Temperature of 45 - 50°C / 115° - 122°F.
 (2) Proper Pump Flow Must be Established Prior to Setting Operating Pressures.

TRUCK RPM	Dealer Specification	Actual	Adjusted
RPM Setting (Operating)			

PUMP FLOW:	lpm (gpm)		
Distributor #1	60 – 68		
Distributor #2	(16 - 18)		

Operate crane functions to stroke end and monitor pump flow to ensure flow is maintained.

PRESSURE SETTINGS: Bar (PSI)

Distributor Bank #1: Rotation, Inner Ram, Extension			
Main Relief Valve	260 (3750)		
Rotation			
Clockwise	230 (3350)		
Counter Clockwise	230 (3350)		
Inner Ram			
Open (Up)	260 (3750)		
Descent (Down)	130 (1900)		
Extensions			
Exit	175 (2550)		
Re-Enter	260 (3750)		

Distributor Bank #2: Fork Open/Close, Outer Ram, Fork Rotation			
Main Relief Valve	260 (3750)		
Fork Open/Close (Fork not supplied by Fassi – See Manufacturer's Specs)			
Open	200 (2900)		
Close	200 (2900)		
Outer Ram			
Open (Up)	260 (3750)		
Descent (Down)	260 (3750)		
Fork Rotation (Fork not supplied by Fassi – See Manufacturer's Specs)			
Clockwise	155 (2250)		
Counter Clockwise	155 (2250)		

Fassi Specification	Actual	Adjusted
---------------------	--------	----------

PRESSURE SETTINGS: Bar (PSI)

Outrigger Distributor		
Setting	150 (2200)	

LMLD Valve Setting

Above Horizontal	270 (3900)		
Below Horizontal	270 (3900)		

AGS DATA & SETTINGS

Pump Model	KFAS-1	Serial No:	
tPA (Time Pause)	1.0 (hr)		
tCO (Time Contact)	2.0 (min)		
Pump Model	KFGS3-5W1+912	Serial No:	
tPA (Time Pause)	1.0 (hr)		
tCO (Time Contact)	3.0 (min)		
Oh (Operating Hrs)			
Fh (Fault Hrs)			

As Received As Released

AGS Grease Level	Empty – 1/4 - 1/2 - 3/4 - Full	
------------------	--------------------------------	--

LMLD Exclusion Tap

Walvoil - LMLD

Distributor Bank #1:		
EV1A Excluded	Yes - No	
Lead Wire Seal in Place	Yes - No	
Distributor Bank #2:		
EV1B Excluded	Yes - No	
Lead Wire Seal in Place	Yes - No	

Danfoss – LMLD or FX000 ELMLD

LMLD Excluded	Yes - No	
Lead Wire Seal in Place	Yes - No	



"Distributor of Fassi Articulated Cranes"
Maintenance Schedule - SE Cranes - 90 Day
F330SE.24

Crane Model	F330SE.24	Serial Number		Today's Date	
				D/R/OK	Notes/Action Required
					Action Completed

FORK & ROTATOR	Follow Dealer's/Manufacturer's Instructions/Recommendations	(Not Covered By Fassi Warranty)
---------------------------	---	---------------------------------

Rotator	Check Link/Crane Connection Pin /Tighten if Loose			
	Check Rotator/Crane Connection Pin /Tighten if Loose			
	Visually Inspect for Hydraulic Oil Leaks			
	Visually Inspect Hoses for Wear/Damage			
	Check Fork/Rotator Bolts /Tighten if Loose			
Wallboard Forks	Check For Oil Leaks			
	Inspect Hoses for Wear/Damage			
	Inspect Fork Ram for Leaks			
	Inspect Fork Wear Pads/Rollers for Wear/Damage			
	Grease Fittings (8 typical)			

EXTENSION BOOMS	Boom Integrity, Guide Shoes, Pins
------------------------	-----------------------------------

Extension Boom #4	Visually Inspect for Unusual Wear Marks			
	Visually Inspect Extension Boom Base Weld			
	Check that Upper/Lower Guide Shoes in Place			
Located on extension # 3	Check that Upper Guide Shoe Bolts are Tight			
	Check that Side Guide Shoes in Place			
NON AGS	Lubricate Extension Boom			
Extension Boom #3	Visually Inspect for Unusual Wear Marks			
	Visually Inspect Extension Boom Base Weld			
	Check that Upper/Lower Guide Shoes in Place			
Located on extension # 2	Check that Upper Guide Shoe Bolts are Tight			
	Check that Side Guide Shoes in Place			
NON AGS	Lubricate Extension Boom			
Extension Boom #2	Visually Inspect for Unusual Wear Marks			
	Visually Inspect Extension Boom Base Weld			
	Check that Upper/Lower Guide Shoes in Place			
Located on extension #1	Check that Upper Guide Shoe Bolts are Tight			
	Check that Side Guide Shoes in Place			
NON AGS	Lubricate Extension Boom			
Extension Boom #1	Visually Inspect for Unusual Wear Marks			
	Visually Inspect Extension Boom Base Weld			
	Check that Upper/Lower Guide Shoes in Place			
Located on outer boom	Check that Upper Guide Shoe Bolts are Tight			
	Check that Side Guide Shoes in Place			
NON AGS	Lubricate Extension Boom			

HOSE PROTECTION DEVICES (TRAYS) ON EXTENSIONS	
--	--

Hose Trays	Visually Inspect Hose Trays for Cracks			
	Visually Inspect Hose Tray Supports for Cracks			
	Visually Inspect Hose Trays for Proper Alignment/Clearance during Operation			
E-Chain	Visually Inspect for Missing/Broken Links			
	Manually Inspect for Flexibility/Easy Movement			
Hoses & Pipes	Visually Inspect for Hydraulic Leaks			
	Visually Inspect for Wear/Damage			
	Visually Inspect Hoses for Proper Lie			



“Distributor of Fassi Articulated Cranes”
Maintenance Schedule - SE Cranes - 90 Day
F330SE.24

Crane Model	F330SE.24	Serial Number		Today's Date		
				D/R/OK	Notes/Action Required	Action Completed
EXTENSION RAMS Cylinder, Rod, Piston, Seals, Hoses, Holding Valve						
	Load Test Extension Rams Holding Valve					
	Inspect For Hydraulic Leaks					
	Inspect Hoses & Pipes					
	Inspect Ram Rods for Damage					
OUTER RAM Cylinder, Rod, Piston, Seals, Hoses, Holding Valve						
	Inspect for Hydraulic Leaks					
	Visually Inspect Hoses for Wear/Damage					
	Inspect Outer Ram Rod for Damage					
	Load Test Outer Ram Holding Valve					
Outer Ram Guard	Outer Ram Guard In Place					
	Operates Smoothly					
	Fixing Bolts are Tight					
INNER BOOM Boom Integrity/Pins/Bushings						
	Visually Inspect Inner Boom for Cracks					
	Visually Inspect Inner Boom Welds for Cracks					
	Check Pipe Condition on Top of Boom					
	Check Pipe Holding Clamps on Top of Boom					
Inner /Outer Boom Connection	Check Pin for Wear/Damage/Movement					
	Check Bushings for Wear/Damage/Movement					
	Check Pin Nuts & Locking Bolts are Tight					
NON AGS	Lubricate Column/Inner Boom Connection Pin					
INNER RAM Cylinder, Rod, Piston, Seal, Hoses						
	Inspect for Inner Ram for Leaks					
	Inspect Inner Ram Rod for Damage					
	Inspect Hydraulic Hoses/Pipes for Wear/Leaks					
	Load Test Inner Ram Holding Valve					
NON AGS	Lubricate Inner Ram/Column Fitting (1)					
NON AGS	Lubricate Inner Ram/Inner Boom Fitting (1)					
COLUMN Column Integrity/Pins/Bushings						
	Visually Inspect Column for Cracks					
	Visually Inspect Welds on Column for Cracks					
Column/Inner Boom Connection	Check Pin for Wear/Damage/Movement					
	Check Bushings for Wear/Damage/Movement					
	Check Pin Nuts & Locking Bolts are Tight					
NON AGS	Lubricate Column/Inner Boom Connection Pin					
ROTATION CYLINDERS Cylinders, Pistons, Seals						
	Inspect Rotation Cylinders for Leaks					
	Inspect Piping and Hosing for Leaks					



"Distributor of Fassi Articulated Cranes"
Maintenance Schedule - SE Cranes - 90 Day
F330SE.24

Crane Model	F330SE.24	Serial Number		Today's Date		
				D/R/OK	Notes/Action Required	Action Completed
CRANE BASE Base, Base Bushings, Rack, Compensator						
Base/Outrigger Beam	Visually Inspect Welds on Base/Outrigger Beam for Cracks					
Base	Visually Inspect Cast Steel Base for Cracks					
Upper Base Bushing (6 mm, 0.240")	Determine Upper Bushing Wear via dial indicator					
	If wear is greater than 3.0 mm / 0.125" remove and replace.					
NON AGS	Lubricate (2 fittings)					
Lower Bushing (2.5 mm, 0.100")	Determine Lower Bushing Wear via dial indicator					
	If wear is greater than 0.8 mm / 1/32" remove and replace.					
NON AGS	Lubricate (2 fittings)					
Rack NON AGS	Lubricate (2 fittings)					
Compensator NON AGS	Lubricate (1 fitting)					
Hosing through Base	Check Hydraulic Hoses for Wear/Leaks					
	Check Hydraulic Hose Swivels for Movement					
HYDRAULIC OIL TANK Inspect for Hydraulic Oil Leaks						
	Inspect for Hydraulic Oil Leaks					
	Check Tank Straps/Tighten if Loose					
Oil Return Filters (2)	Clean/Replace (50 micron)				Note: Clean Once/ then Replace	
	Clean/Replace (50 micron)				Note: Clean Once/ then Replace	
Fluid Level	Check Hydraulic Fluid Level (Cold) with Crane in Stowed Position / Fill as Required					
	Change oil annually unless semi annual testing is done with results supplied					
HYDRAULIC OIL COOLER						
	Oil Cooler Starts Operating at Correct Temperature (95°F, 104°F, or 135°F - Sensor Dependent)					
	Check Hose Connections for Leaks					
	Check Mounting Bolts/Tighten if Loose					
CRANE/OUTRIGGER DEVIATOR						
	Inspect for Hydraulic Oil Leaks					
	Inspect for Easy Movement with Oil at Operating Temperature					
	Check Linkage and Pipes					
OUTRIGGERS (STABILIZERS) Outrigger Extension Beams and Rams						
Outrigger Safety Locks (2)	Check Functional Operation					
Extension Rams & Beams	Guide Shoes in Place					
	Inspect Extension Beam Hoses for Leaks/Wear					
	Grease Extension Beams					
Stabilizer Rams	Visually Inspect for Bent Rod/Other Rod Damage					
	Visually Inspect Ram for Leaks					
	Visually Inspect Hosing for Leaks/Wear					
Stabilizer Pads	Inspect Pads for Cracks					
	Locking System Functional					
	Travel Lock Down Functional					



“Distributor of Fassi Articulated Cranes”
Maintenance Schedule - SE Cranes - 90 Day
F330SE.24

Crane Model	F330SE.24	Serial Number		Today's Date	
-------------	------------------	---------------	--	--------------	--

	D/R/OK	Notes/Action Required	Action Completed
--	--------	-----------------------	------------------

OIL FILTERS – PRESSURE

Oil Filters (Pressure) - 1	Check for Leaks			
	Indicator in Place			
	Indicator Color (Green/Red)			
	Replace Filter IF NEEDED			
Oil Filters (Pressure) - 2	Check for Leaks			
	Indicator in Place			
	Indicator Color (Green/Red)			
	Replace Filter IF NEEDED			

SUBFRAME/RISER

Structure & Fixing Rods	Check Fixing Rod Bolt Tightness/Tighten if Loose			
	Check Shear Plates Bolt Tightness/Tighten if Loose			

MOUNTING BOLTS: Fassi Specification	Nm (ft lbs)	Actual	Adjusted
Check Tightness	1800 (1330)		

PUMP / PTO Follow Dealer's/Manufacturer's Instructions/Recommendations (Not Covered By Fassi Warranty)

	Check for Leaks			
	Confirm Pump Flow (Report on Page 1)			
	Check Splines and Lubricate			

OUTRIGGER DISTRIBUTORS

Drivers Side Outrigger Distributor				
	Visually Inspect for Hydraulic Oil Leaks			
	Visually Inspect Hoses for Wear			
Extension Operating Lever	Check for Smooth Operation			
	Lever Returns to Center			
Stabilizer Ram Operating Lever	Check for Smooth Operation			
	Lever Returns to Center			
Passenger Side Outrigger Distributor				
	Visually Inspect for Hydraulic Oil Leaks			
	Visually Inspect Hoses for Wear			
Extension Operating Lever	Check for Smooth Operation			
	Lever Returns to Center			
Stabilizer Ram Operating Lever	Check for Smooth Operation			
	Lever Returns to Center			

PLATFORM & LADDER ASSEMBLY

	Inspect Ladder Step Treads			
	Inspect Assembly Welds for Cracks			
	Check Assembly Bolts / Tighten if Loose			
	Check Cross Rod Bolts / Tighten if Loose			

OPERATOR TOP SEAT (IF EQUIPED)

	Inspect Top Seat for operation and for damage			
	Confirm that Seat cannot recline backwards past safety stop – if so repair or replace Seat			



"Distributor of Fassi Articulated Cranes"
Maintenance Schedule - SE Cranes - 90 Day
F330SE.24

Crane Model	F330SE.24	Serial Number		Today's Date	
				D/R/OK	Notes/Action Required
					Action Completed

CRANE DISTRIBUTORS

CRANE DISTRIBUTOR 1

General	Inspect for Hydraulic Oil Leaks			
	Fixing Screws Tight			
Rotation Lever	Smooth Operation			
	Return to Center			
Inner Boom Lever	Smooth Operation			
	Return to Center			
Extension Foot Pedal	Check Foot Pedal Linkage for Proper Stroke			
	Smooth Operation			
	Return to Center			
NON AGS	Lubricate (1 grease fitting)			

CRANE DISTRIBUTOR 2

General	Inspect for Hydraulic Oil Leaks			
	Fixing Screws Tight			
Fork (Open/Close) Foot Pedal	Check Foot Pedal Linkage for Proper Stroke			
	Smooth Operation			
	Return to Center			
NON AGS	Lubricate (1 grease fitting)			
Outer Boom Lever	Smooth Operation			
	Return to Center			
Fork Rotator Lever	Smooth Operation			
	Return to Center			

LMLD (LIFTING MOMENT LIMITING DEVICE) Valves, Pressure Switches, Electro-Valves

	Check Overload System for Proper Operation			
	Check LMLD Pressure			
	Check for Oil Leaks			
	Security Lead Seal in Place			

AGS SYSTEM Grease Specification (Nils Grease - Nilex NLGI#1 or Lubriplate "730" NLGI#1)

System Types	Standard Base System (7 fittings)			
	Extended System w/o Foot Pedals (13 fittings)			
	Extended System w/ Foot Pedals (15 fittings)			
Check Pump Operation	When Powered:			
	Standard Horn Sounds			
	Auxiliary Horn Sounds/Strobe Light Lights			
	Light Illuminates on Junction Box			
Manually Cycle the Pump	Operate DK Switch on Junction Box			
	Operate DK Button on Pump Display			
Cycle Switch Operation	System Faults (Alarms) after 3 Cycles with CS Cable DISCONNECTED.			
Grease Delivery Hoses	Check Hose Type (80 bar / 800 bar)			
	Check Grease Hoses for leaks			
	Check Grease Hoses connections			
	Check for plugged Grease Hoses			
Grease Reservoir	Fill with Approved Grease			

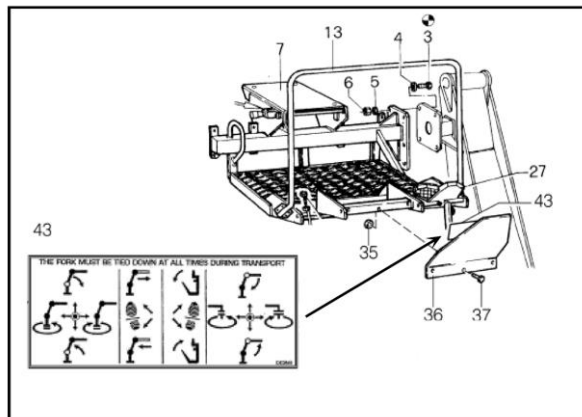


"Distributor of Fassi Articulated Cranes"
Maintenance Schedule - SE Cranes - 90 Day
F330SE.24

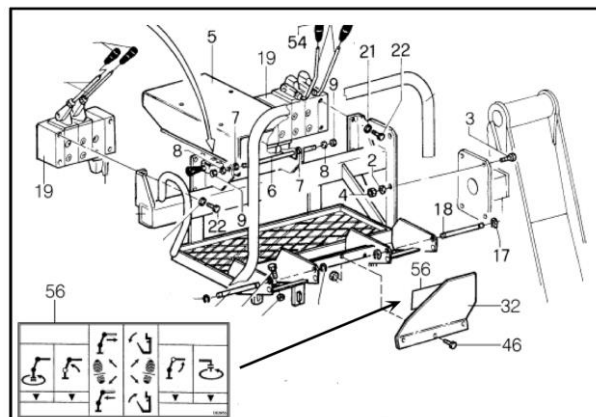
Crane Model	F330SE.24	Serial Number		Today's Date	
-------------	------------------	---------------	--	--------------	--

RADIO REMOTE CONTROL IF EQUIPED					
Radio/Manual Switch	Check Functional Operation				
Rotation Lever / Joystick	Check Radio/Lever Stroke & Movement				
Inner Boom Lever / Joystick	Check Radio/Lever Stroke & Movement				
Extension Lever / Joystick	Check Radio/Lever Stroke & Movement				
Fork (Open/Close) Lever / Joystick	Check Radio/Lever Stroke & Movement				
Outer Boom Lever / Joystick	Check Radio/Lever Stroke & Movement				
Fork Rotator Lever / Joystick	Check Radio/Lever Stroke & Movement				
Emergency Stop	Check Functional Operation				

DECALS Decals are In Place And Legible					
DE4230	Capacity Plate (Lifting Chart) F330SE.24				
DE 2676	Instruction Plate and Safety Norms				
DE 2327	Warning Plate to Stabilize the Vehicle Before Using the Crane				
DE 2600	Instruction Plates to Stabilize the Vehicle				
DE 2601	Instruction Plates to Stabilize the Vehicle				
DE 2498	Warning Plates to Make Sure that No One Is In or Transits In Close Proximity to the Outriggers.				
DE 2497	Warning Plates to Make Sure that No One Is or Transits In Close Proximity of the Outriggers.				
DE 2868	Crane Controls Plate - Walveoil (Joystick)				
DE 3953	Crane Controls Plate - Danfoss (Lever)				
DE 1067	Do Not Walk or Stay Under a Suspended Load & for Unauthorized Persons to be within the Working Area.				
DE 2100	Danger Plate for Crushing of Lower Limbs.				
DE 1686	Do Not Walk or Stop Under A Suspended Load.				
DE 1683	Do Not Operate In Proximity of Electric High-Tension Lines.				
DE 2361	Do Not Operate In Proximity of Electric High-Tension Lines.				
DE 1679	Do Not Step On.				
DE 1680	Do Not Use Water to Extinguish Fire.				
DE 1681	Greasing Points With Brush.				
DE 1682	Greasing Points At Pressure.				
DE 1574	Do Not Weld the Fixing Rods.				
R5763	DANGER: Loading Truck Payload Above This Decal Can Be Dangerous (2)				



DE 2868- Crane Controls Plate - Walveoil (Joystick)



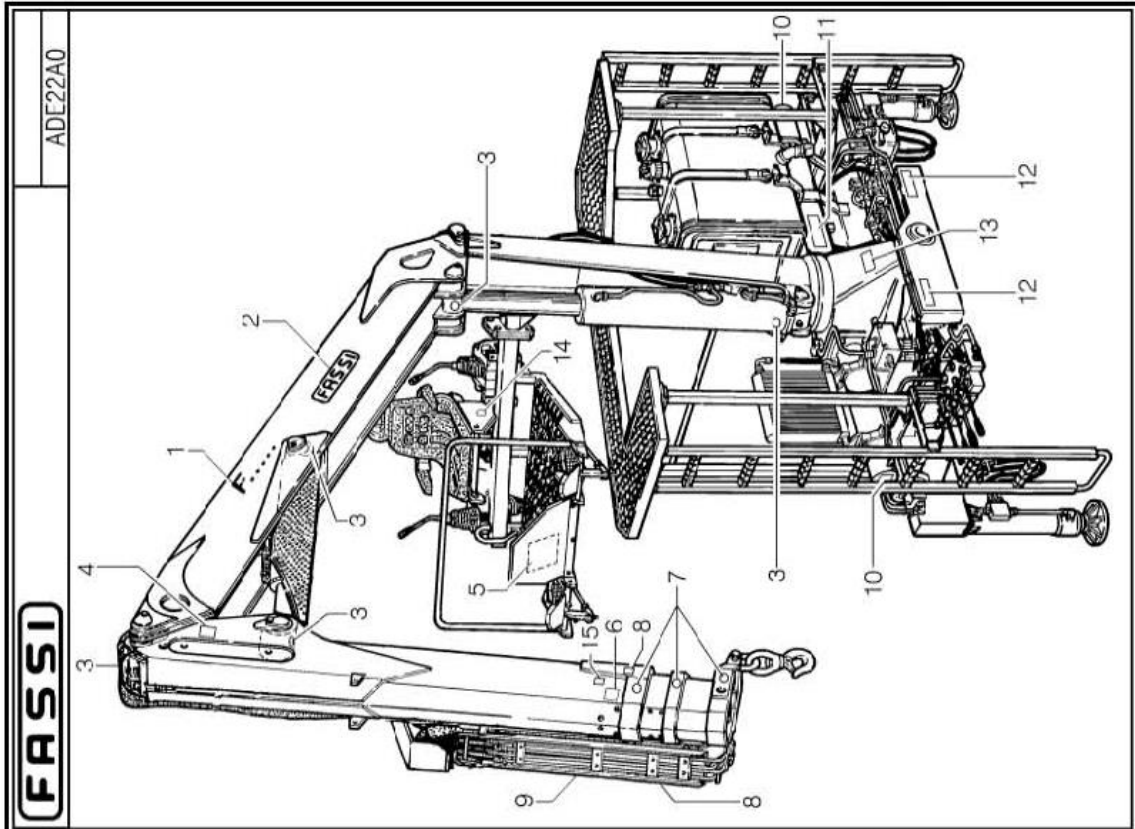
DE 3953 - Crane Controls Plate - Danfoss (Lever)



"Distributor of Fassi Articulated Cranes"
Maintenance Schedule - SE Cranes - 90 Day
F330SE.24

Crane Model	F330SE.24	Serial Number		Today's Date	
-------------	------------------	---------------	--	--------------	--

DECAL LOCATIONS



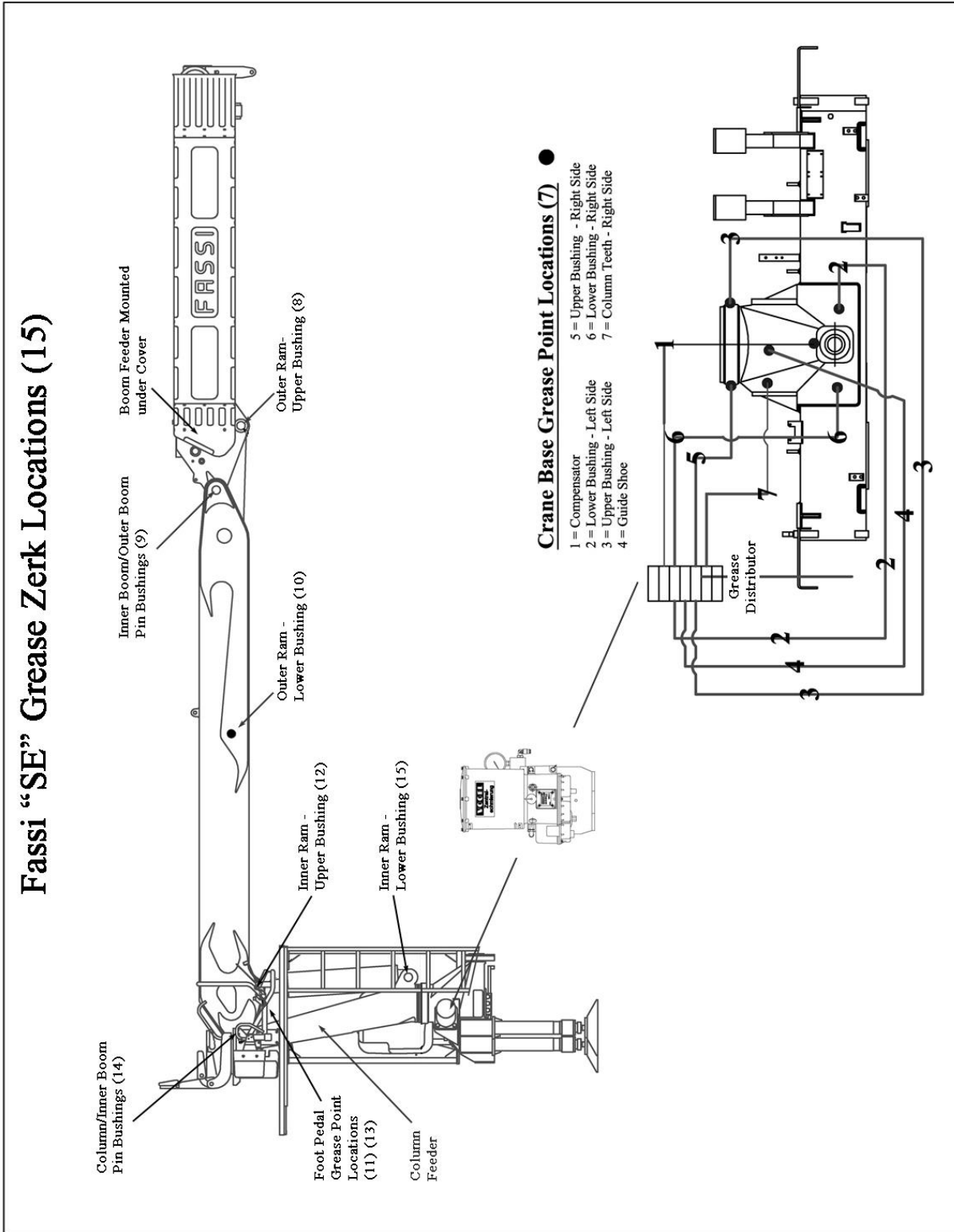
TARG TARG001 PLATES FOR F250SE THROUGH F360SE	
1	DE F250SE PLATE F250S
1	DE F280SE PLATE F280S
1	DE F330SE PLATE F330SE
1	DE F360SE PLATE F360SE
2	DE 619 PLATE "FASCI"
2	DE 621 PLATE "FASCI"
3	DE 1682 GREASING PLATE "Greasing Points at Pressure"
4	DE 4779 SHEAR WARNING PLATE
5	DE 3883 LOAD CHART "F280SE.22"
5	DE 4230 LOAD CHART "F330SE.24"
5	DE 4273 LOAD CHART "F250SE.21"
5	DE 5478 LOAD CHART "F360SE.24"
6	DE 1679 FORBIDDEN PLATE "Do not walk or stay under a suspended load and for unauthorized persons to be within the working area"
7	DE 1681 GREASING PLATE "Greasing points with brush"
8	DE 2361 DANGER PLATE "Do not operate in proximity of electric high tension lines"
9	DE 1679 FORBIDDEN PLATE "Do not walk on."
10	DE 3227 WARNING PLATE "Extend outriggers to stabilize truck"
11	DE 2676 CRANE INSTRUCTION PLATE
12	DE 1574 FORBIDDEN PLATE "Do not weld the fixing rods"
13	DE 815 FORBIDDEN PLATE
14	DE 1680 FORBIDDEN PLATE "Do not use water to extinguish fire"
15	DE 1686 DANGER PLATE



"Distributor of Fassi Articulated Cranes"
Maintenance Schedule - SE Cranes - 90 Day
F330SE.24

Crane Model	F330SE.24	Serial Number		Today's Date	
-------------	------------------	---------------	--	--------------	--

GREASE ZERK LOCATIONS





"Distributor of Fassi Articulated Cranes"
Maintenance Schedule - SE Cranes - 90 Day
F330SE.24

Crane Model	F330SE.24	Serial Number		Today's Date	
-------------	------------------	---------------	--	--------------	--

VOGEL GREASE ZERK LOCATIONS

