

F1450R.2-HXP TECHNO

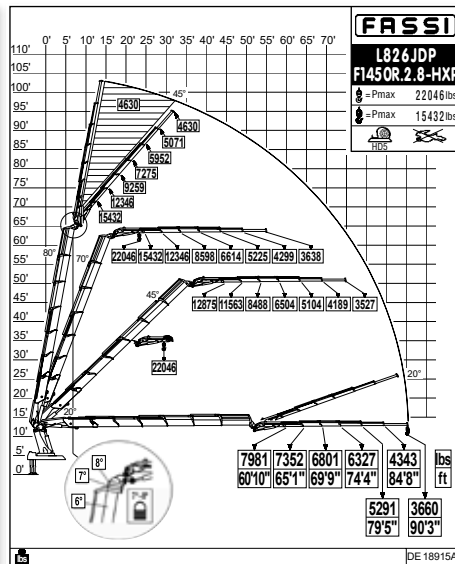
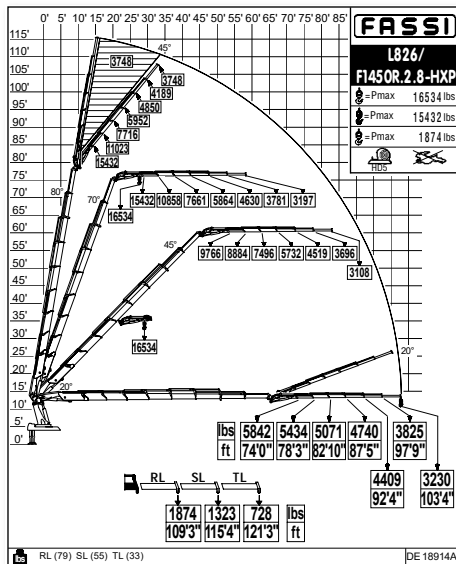
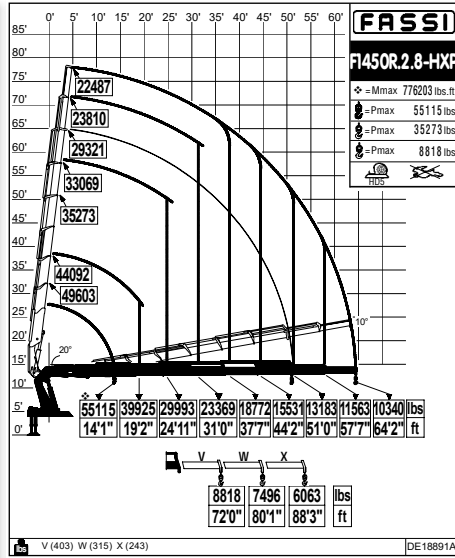
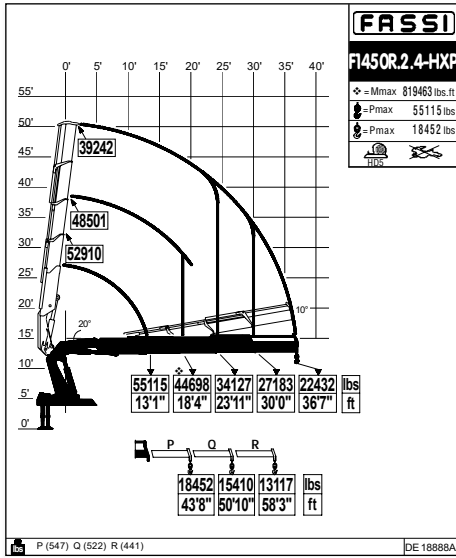


F1450R.2-HXP TECHNO



LEADER **IN** INNOVATION

F1450R.2 HXP
Load diagrams - lbs/ft

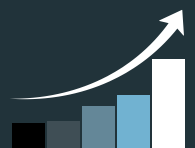


F1450RHXP.2.4	819463	37'6"	23'5"	360°	73756	5076	26,4+26,4	66,0+66,0	22928	8'4"	8'2"	8'6"
F1450RHXP.2.8	776203	65'2"	50'0"	360°	73756	5076	26,4+26,4	66,0+66,0	26433	8'4"	8'7"	8'6"
F1450RHXP.2.8 L826	776203	104'4"	79'5"	360°	73756	5076	26,4+26,4	66,0+66,0	30402	8'4"	9'1"	9'6"

Lifting capacity	Standard reach	Hydraulic extension	Rotation	Rotation torque	Working pressure	Pump capacity	Oil tank capacity	Crane weight	Crane width	Installation width	Crane height	

X Design

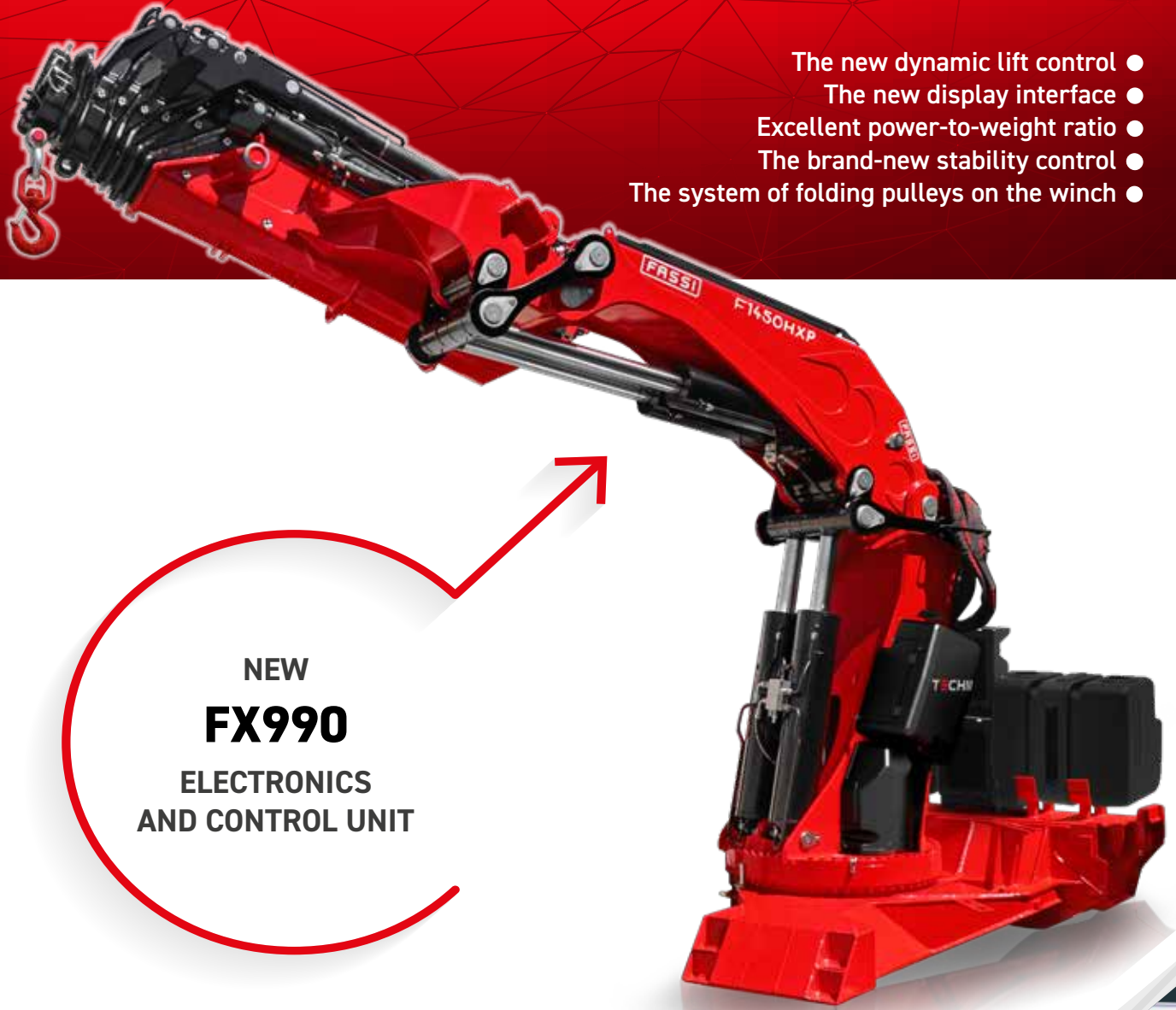
PERFORMANCE + 50%



The decagonal section is characterised by increased mechanical performance, motion guides and the inertial stability of vertical loads. The result is that, in comparison to the hexagonal section, lighter solutions can be developed that offer the same mechanical performance, and higher mechanical performance can be achieved with the same weight.

In fact is an increase in vertical performance of more than 50% has been achieved.

F1450R.2-HXP TECHNO



- The new dynamic lift control
- The new display interface
- Excellent power-to-weight ratio
- The brand-new stability control
- The system of folding pulleys on the winch

NEW
FX990
ELECTRONICS
AND CONTROL UNIT

✓ THE HYDRAULIC CIRCUIT WITH DOUBLE FEED

✓ A DOUBLE RAM ON THE MAIN ARM AND A ROTATION UNIT ON A NEW SLEW RING WITH DUAL GEARMOTOR HAVE ALL BEEN DEVELOPED

✓ NEW PROTECTIVE CASINGS



TECHNO

The main feature of the new **FX990** unit is the significant increase in resources with **three CAN-BUS lines**; one dedicated to sensors, one to controls and one to vehicle connection. The latter relates to the importance of previous developments, from FX-Link to the DBF (Drive by Fassi) function for the remote control of the truck via the crane's V7 radio controller. In addition, **two Ethernet lines** further **extend connectivity and processing power**, another first.

Lifting Tomorrow



LEADER IN INNOVATION



FASSI GRU S.p.A.
Via Roma, 110
24021 Albino (Bergamo) ITALY
Tel- +39 035 776400
Fax +39 035 755020
www.fassi.com
fassi@fassi.com

COMPANY WITH
MANAGEMENT SYSTEM
CERTIFIED BY DNV GL
= ISO 9001 =
= ISO 14001 =