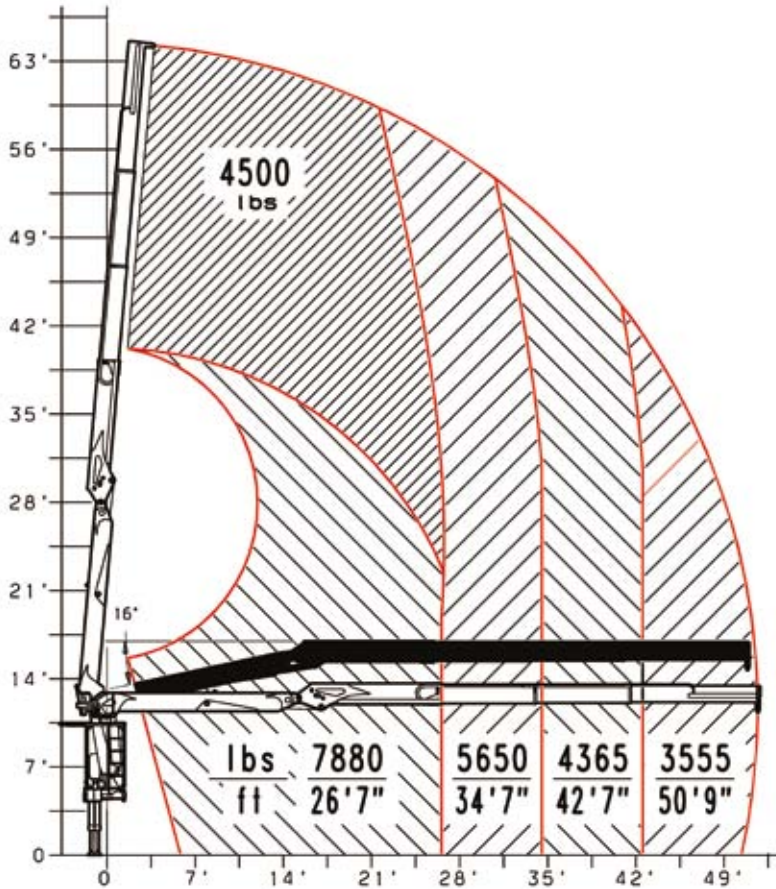
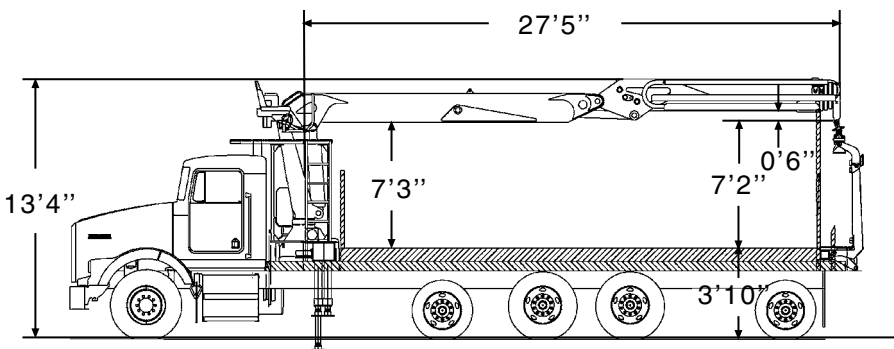


F360SE.23



THE WEIGHT OF WALLBOARD FORK AND ROTATOR MUST BE DEDUCTED FROM LIFTING CHART



INSTALLATION

MINIMUM TRUCK SPECS Tandem axle frame RBM 3.0 million (per rail), W.B. 270" CA 192", FA 16,000 lbs, RA 34,000 lbs, GVW 50,000 lbs

RECOMMENDED TRUCK SPECS Tandem axle frame RBM 3.0 million (per rail), W.B. 270" CA192", FA 20,000 lbs, RA 44,000 lbs, GVW 64,000 lbs

TECHNICAL DATA		F360SE.23
Lifting capacity	lbs.ft	215768
Standard reach	ft	50'9"
Hydraulic extension	ft	23'0"
Rotation arc		420°
Rotation torque	lbs.ft	34439
Working pressure	psi	4630
Pump capacity	gal/min	16+16
Oil tank capacity	gals	66
Outriggers spread crane	ft	23'6"
Supplementary outriggers		-
Degree of boom elevator		85°

TECHNICAL DATA		F360SE.23
360° Rotation	sec.	45
Extension time	sec.	29
Retraction time	sec.	23
Inner boom elevation time	sec.	22
Outer boom elevation time	sec.	30

AVAILABLE CONTROL SYSTEMS

- Dual side cross over ground control with radio remote
- Top seat control
- Top seat control with optional radio remote

"FULL LIFT"* DELIVERY

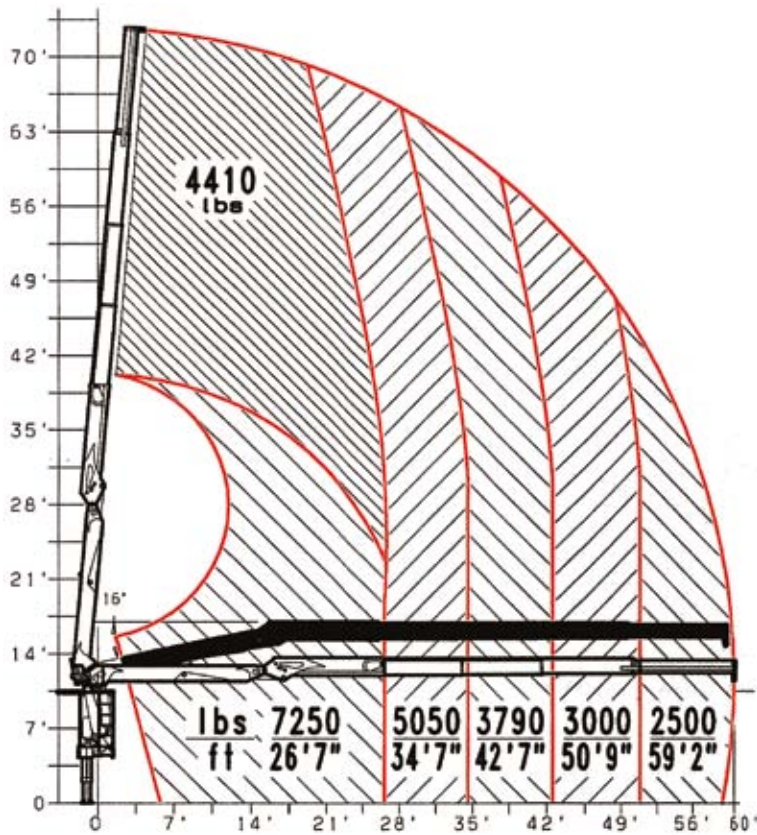
"FULL LIFT"* DELIVERY		F360SE.23
Height**		63'0"
Radius		46'11"

* Wallboard Lift Weight 12' x 4' x 1/2" Standard Board Full Lift: 34 sheets: 2,872 lbs with Hydraulic Fork & Rotator - 3,842 lbs
**Measured at Boom Tip

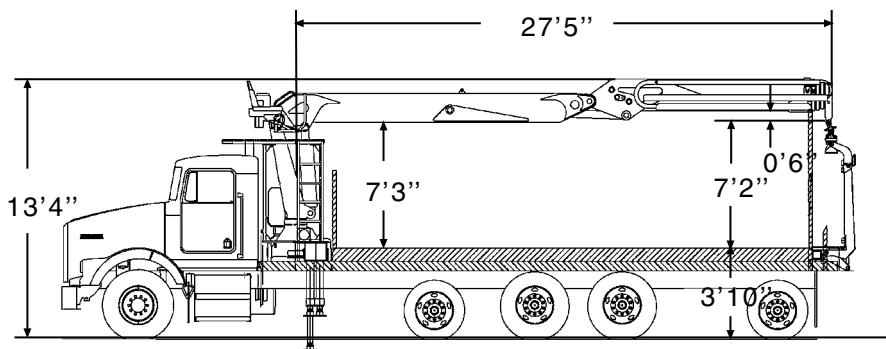
RECOMMENDATION

Easily Attainable 360° Stability @ 118% of Rated Capacity when Properly Installed by your Local Authorized Fassi Dealer.

F360SE.24



THE WEIGHT OF WALLBOARD FORK AND ROTATOR MUST BE DEDUCTED FROM LIFTING CHART



INSTALLATION

MINIMUM TRUCK SPECS Tandem axle frame RBM 3.0 million (per rail), W.B. 270"
CA 192", FA 16,000 lbs, RA 34,000 lbs, GVW 50,000 lbs
RECOMMENDED TRUCK SPECS Tandem axle frame RBM 3.0 million (per rail),
W.B. 270" CA192", FA 20,000 lbs, RA 44,000 lbs, GVW 64,000 lbs

TECHNICAL DATA	F360SE.24
Lifting capacity	lbs.ft 192728
Standard reach	ft 59'2"
Hydraulic extension	ft 32'7"
Rotation arc	420°
Rotation torque	lbs.ft 34439
Working pressure	psi 4360
Pump capacity	gal/min 16+16
Oil tank capacity	gals 66
Outriggers spread crane	ft 23'6"
Supplementary outriggers	-
Degree of boom elevator	85°

TECHNICAL DATA	F360SE.24
360°Rotation	sec. 45
Extension time	sec. 40
Retraction time	sec. 30
Inner boom elevation time	sec. 22
Outer boom elevation time	sec. 30

AVAILABLE CONTROL SYSTEMS

- Dual side cross over ground control with radio remote
- Top seat control
- Top seat control with optional radio remote

"FULL LIFT" DELIVERY	F360SE.24
Height**	72'3"
Radius	42'0"
* Wallboard Lift Weight 12' x 4' x 1/2" Standard Board Full Lift: 34 sheets: 2,872 lbs with Hydraulic Fork & Rotator - 3,842 lbs **Measured at Boom Tip	

RECOMMENDATION

Easily Attainable 360° Stability @ 118% of Rated Capacity when Properly installed by your Local Authorized Fassi Dealer.