

F120BCM.1 e-dynamic

F120BCM.1 e-dynamic



CRANESWITHOUT COMPROMISE

LINKAGE on crane articulations, maintaining a constant lifting moment and better crane performances in terms of both dynamic lifting and static capacity.

UHSS - ULTRA HIGH STRENGTH STEEL

Ultra high strength steel, used for the construction of the Fassi structural components, with a high elastic limit, increases structural strength and resistance of the components and at the same time reduces the weight of the crane, to the benefit of the loading capacity of the vehicle, which increases.

MPES - MULTI POWER EXTENSION SYSTEM

A Fassi system that guarantees an exceptional extension/retraction speed of the telescopic booms, built up by a set of equally powerful independent rams, linked in series connection and activated by a single control. Special independent fixing system of the extension rams to guarantee high vertical lifting performances.



FWD - FEWER WELDS DESIGN

The fewer welded joints, the stronger the structure will be. Structural components made out of bent steel with a welded closing plate in lieu of four corners. Welded structures or monolithic structures such as those for the outer boom and sliding sections with one single welded side: balanced elasticity under a load and ideal resistance to fatigue.

DECENTRALIZED COLUMN

Designed to speed up emergency operations.

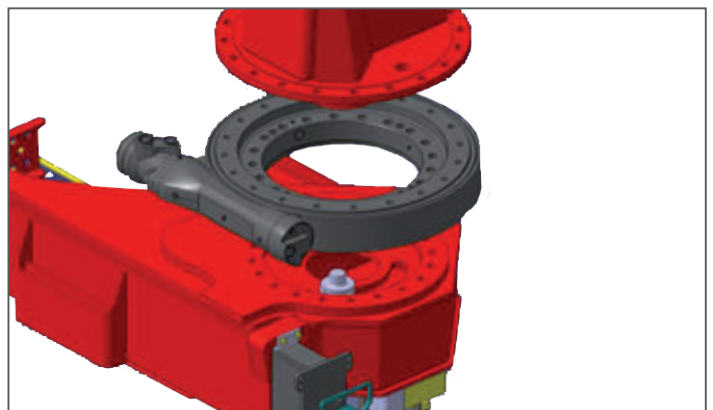
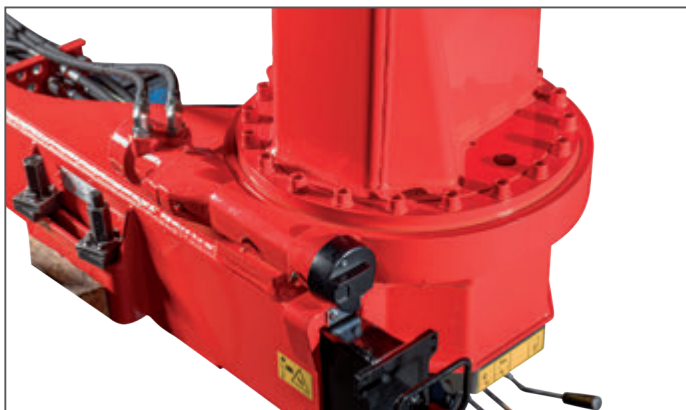


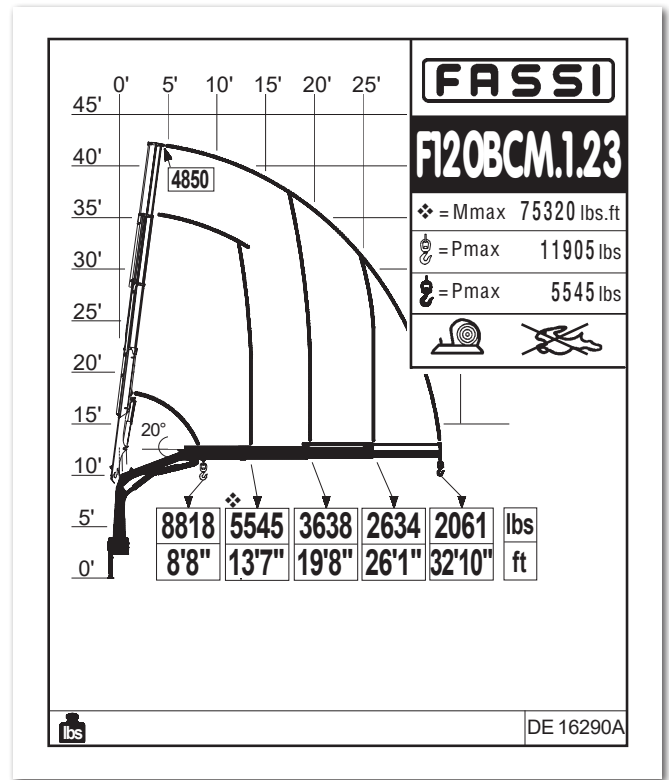
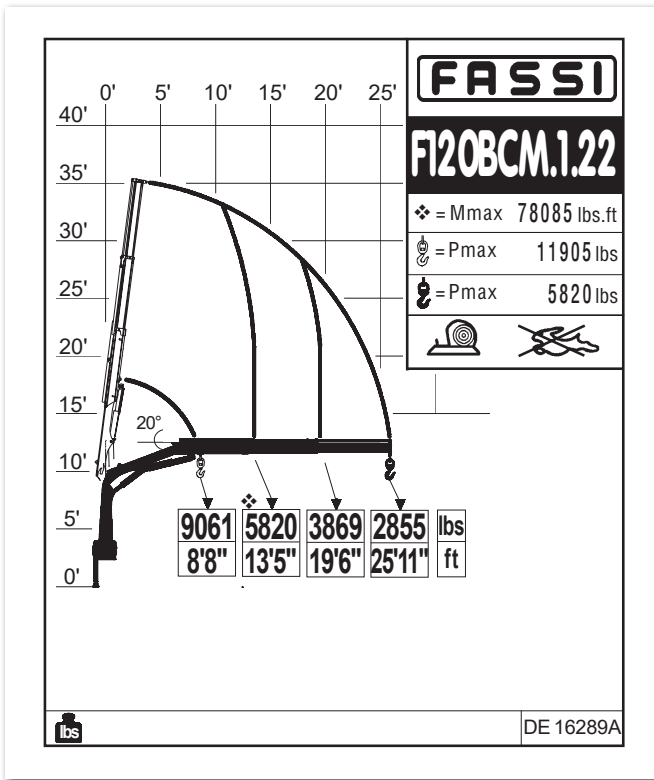
FX200 - FASSI ELECTRONIC CONTROL

The FX200 system (optional) has been made with the aim to provide (for cranes not equipped with the compulsory EC control systems and for cranes in extra-EC countries) a system able to inform the operator about the load condition of the crane and block it in case of an excessive overload is reached. The system is available with analog radio. A lifting moment limiting device version called "W" can be supplied for countries with cold climate conditions.

HYDRAULIC SLEW RING

The crane is equipped with a very compact hydraulic slew ring (brake integrated) to reach an angle of 420° of rotation, limited by a mechanic lock.



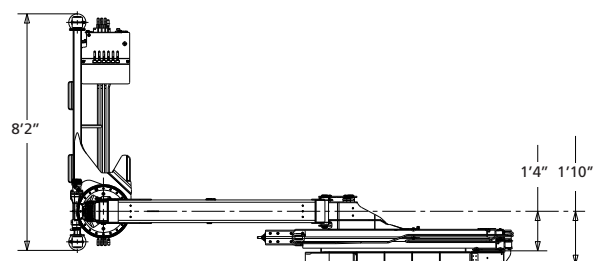
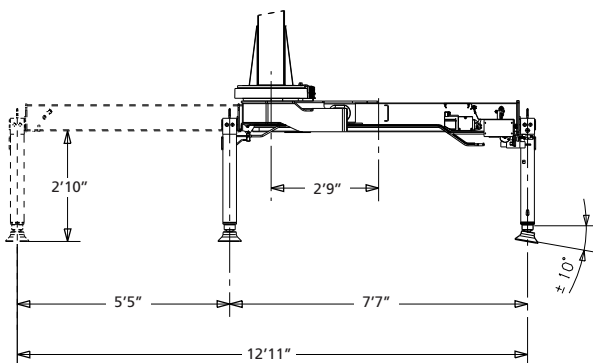
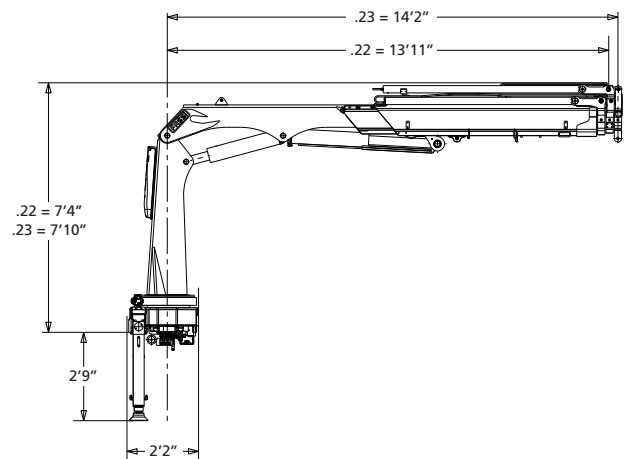


STANDARD

FX200 Fassi Electronic Control control	RRC Radio Remote Control control	MPES Multi Power Extension System performance	XP Extra Power performance	FWD Fewer Welds Design strength	UHSS Ultra High Strength Steel strength
--	--	---	--	---	---

Technical information

F120BCM.1 e-dynamic	
LIFTING CAPACITY:	ROTATION TORQUE:
up to 78085 lbs ft	9400 lbs*ft
MAX OUTREACH:	HYD. OUTREACH:
.22 up to - 26'5"	.22 up to - 12'6"
.23 up to - 33'4"	.23 up to - 19'2"
OUTRIGGER SPREAD:	MAX. WORKING ROLL ANGLE:
12'11"	5°
ROTATION:	WORKING PRESSURE:
420°	4931 psi
WEIGHT:	PUMP CAPACITY:
.22 - 2756 lbs	11 gal/min
.23 - 2976 lbs	





US

ELECTRONIC DOCUMENTATION

All documentation related to the "Techno chips" and the crane is available in electronic format. Require all information you may need directly to your Fassi dealer or download them from the internet site: www.fassi.com.



www.fassi.com

FASSI GRU S.p.A.
 Via Roma, 110
 24021 Albino (Bergamo) ITALY
 Tel- +39 035 776400
 Fax +39 035 755020
<http://www.fassi.com>
 E-mail: fassi@fassi.com

COMPANY WITH
 QUALITY SYSTEM
 CERTIFIED BY DNV GL
 = ISO 9001 =