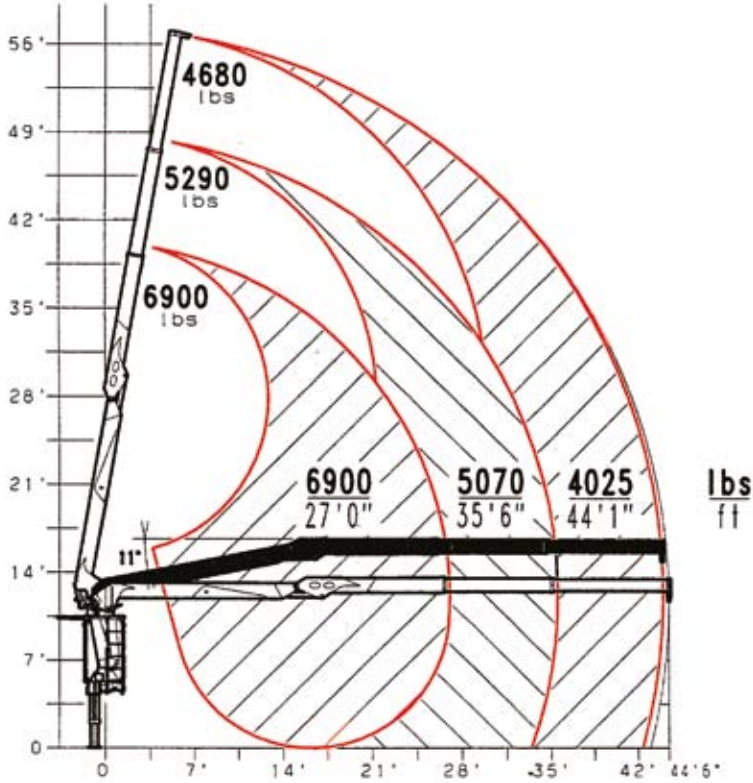
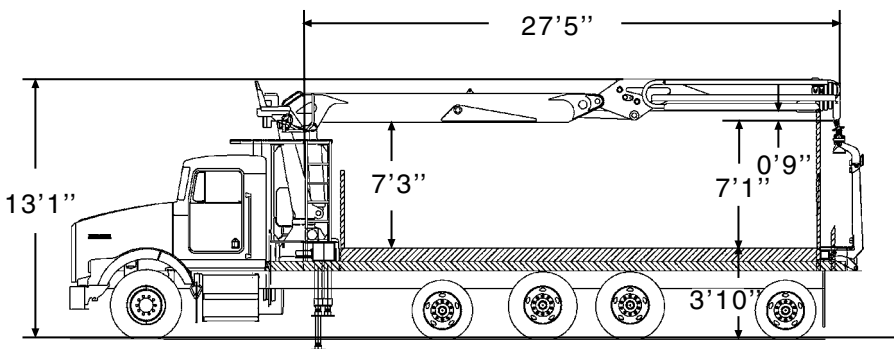


F280SE.22



THE WEIGHT OF WALLBOARD FORK AND ROTATOR MUST BE DEDUCTED FROM LIFTING CHART



INSTALLATION

MINIMUM TRUCK SPECS Tandem axle frame RBM 3.0 million (per rail), W.B. 270" CA 192", FA 16,000 lbs, RA 34,000 lbs, GVW 50,000 lbs

RECOMMENDED TRUCK SPECS Tandem axle frame RBM 3.0 million (per rail), W.B. 270" CA192", FA 20,000 lbs, RA 44,000 lbs, GVW 64,000 lbs

TECHNICAL DATA	F280SE.22
Lifting capacity	lbs.ft 186732
Standard reach	ft 44'1"
Hydraulic extension	ft 17'1"
Rotation arc	420°
Rotation torque	lbs.ft 34439
Working pressure	psi 3769
Pump capacity	gal/min 16+16
Oil tank capacity	gals 66
Outriggers spread crane	ft 22'6"
Supplementary outriggers	-
Degree of boom elevator	85°

TECHNICAL DATA	F280SE.22
360°Rotation	sec. 35
Extension time	sec. 21
Retraction time	sec. 13
Inner boom elevation time	sec. 22
Outer boom elevation time	sec. 30

AVAILABLE CONTROL SYSTEMS

- Dual side cross over ground control with radio remote
- Top seat control
- Top seat control with optional radio remote

"FULL LIFT" DELIVERY F280SE.22

Height**	56'10"
Radius	44'1"

* Wallboard Lift Weight 12' x 4' x 1/2" Standard Board Full Lift: 34 sheets: 2,872 lbs with Hydraulic Fork & Rotator - 3,842 lbs
**Measured at Boom Tip

RECOMMENDATION

Easily Attainable 360° Stability @ 118% of Rated Capacity when Properly installed by your Local Authorized Fassi Dealer.

TECHNICAL DATA F280SE.23

Lifting capacity	lbs.ft 175400
Standard reach	ft 50'3"
Hydraulic extension	ft 23'0"
Rotation arc	420°
Rotation torque	lbs.ft 34439
Working pressure	psi 3624
Pump capacity	gal/min 16+16
Oil tank capacity	gals 66
Outriggers spread crane	ft 22'6"
Supplementary outriggers	-
Degree of boom elevator	85°

TECHNICAL DATA F280SE.23

360°Rotation	sec. 35
Extension time	sec. 28
Retraction time	sec. 22
Inner boom elevation time	sec. 22
Outer boom elevation time	sec. 30

AVAILABLE CONTROL SYSTEMS

- Dual side cross over ground control with radio remote
- Top seat control
- Top seat control with optional radio remote

"FULL LIFT" DELIVERY F280SE.23

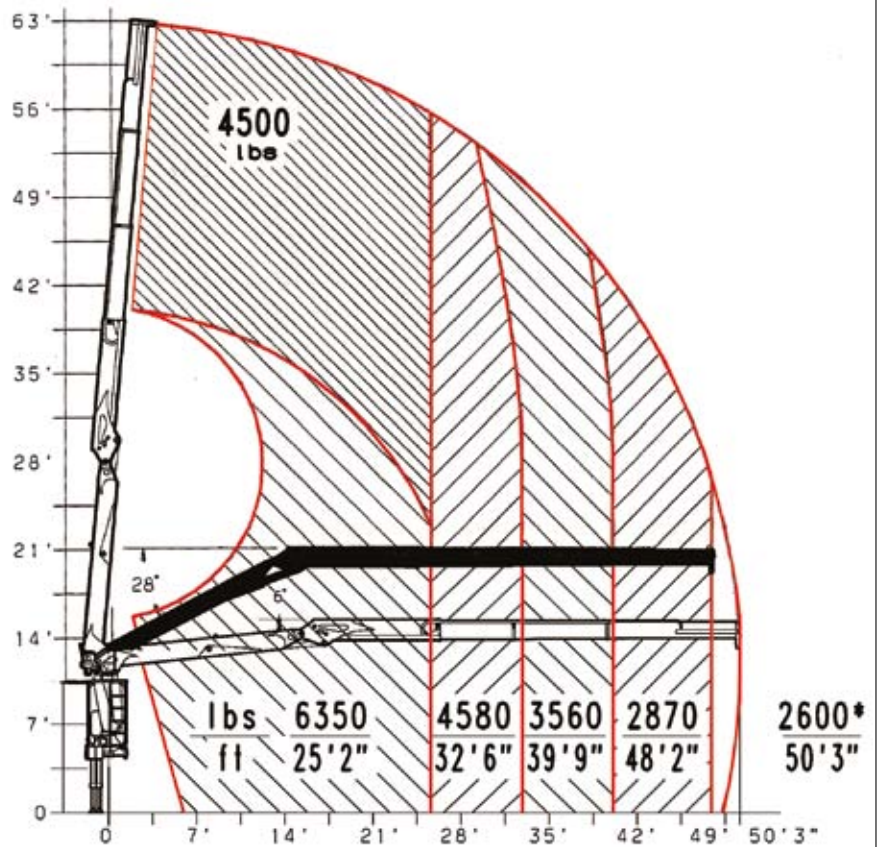
Height**	62'6"
Radius	36'10"

* Wallboard Lift Weight 12' x 4' x 1/2" Standard Board Full Lift: 34 sheets: 2,872 lbs with Hydraulic Fork & Rotator - 3,842 lbs
 **Measured at Boom Tip

RECOMMENDATION

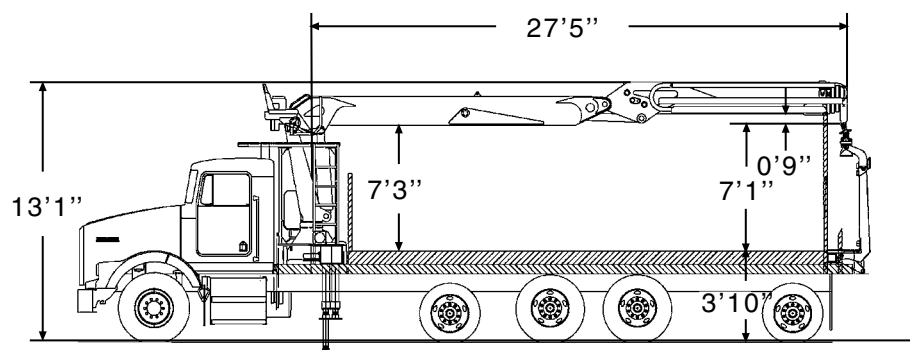
Easily Attainable 360° Stability @ 118% of Rated Capacity when Properly Installed by your Local Authorized Fassi Dealer.

F280SE.23



*PLACING CAPACITY ONLY

THE WEIGHT OF WALLBOARD FORK AND ROTATOR MUST BE DEDUCTED FROM LIFTING CHART



INSTALLATION

MINIMUM TRUCK SPECS Tandem axle frame RBM 3.0 million (per rail), W.B. 270" CA 192", FA 16,000 lbs, RA 34,000 lbs, GVW 50,000 lbs
RECOMMENDED TRUCK SPECS Tandem axle frame RBM 3.0 million (per rail), W.B. 270" CA192", FA 20,000 lbs, RA 44,000 lbs, GVW 64,000 lbs