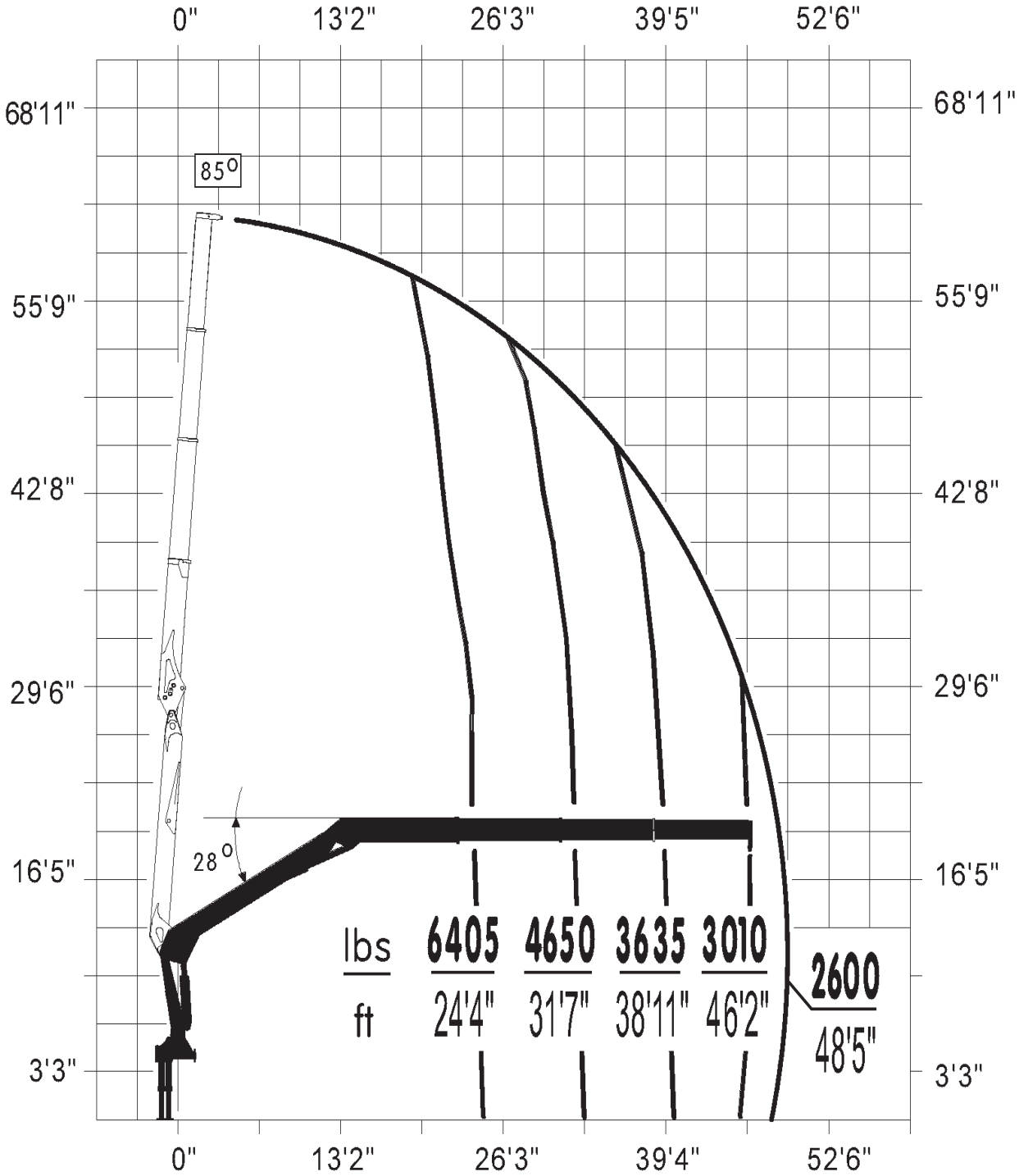


**CAPACITY CHART WITH LIFTING MOMENT DEVICE**

CRANE TYPE  
**F300SE.23**



**DO NOT STAY UNDER SUSPENDED LOADS**

THE WEIGHT OF WALLBOARD FORK AND ROTATOR MUST BE DEDUCTED FROM LIFTING CHART.