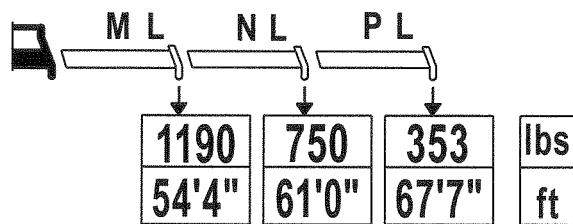
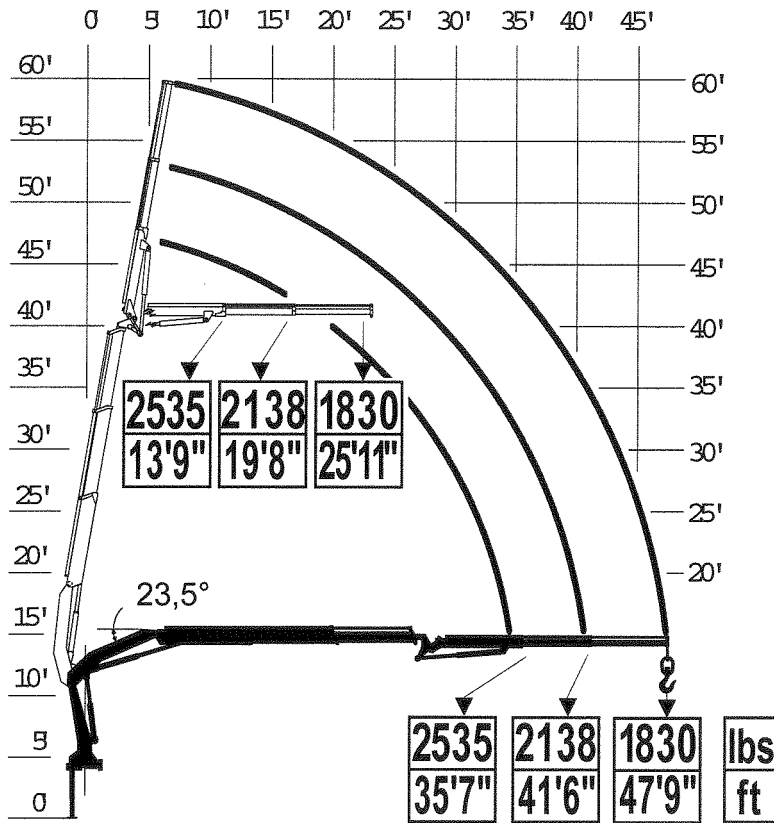




# L202/F190.22

Mmax 89982 lbs.ft

$\varnothing$  = Pmax 2535 lbs



lbs ML (83) NL (60) PL (40)

DE 3809