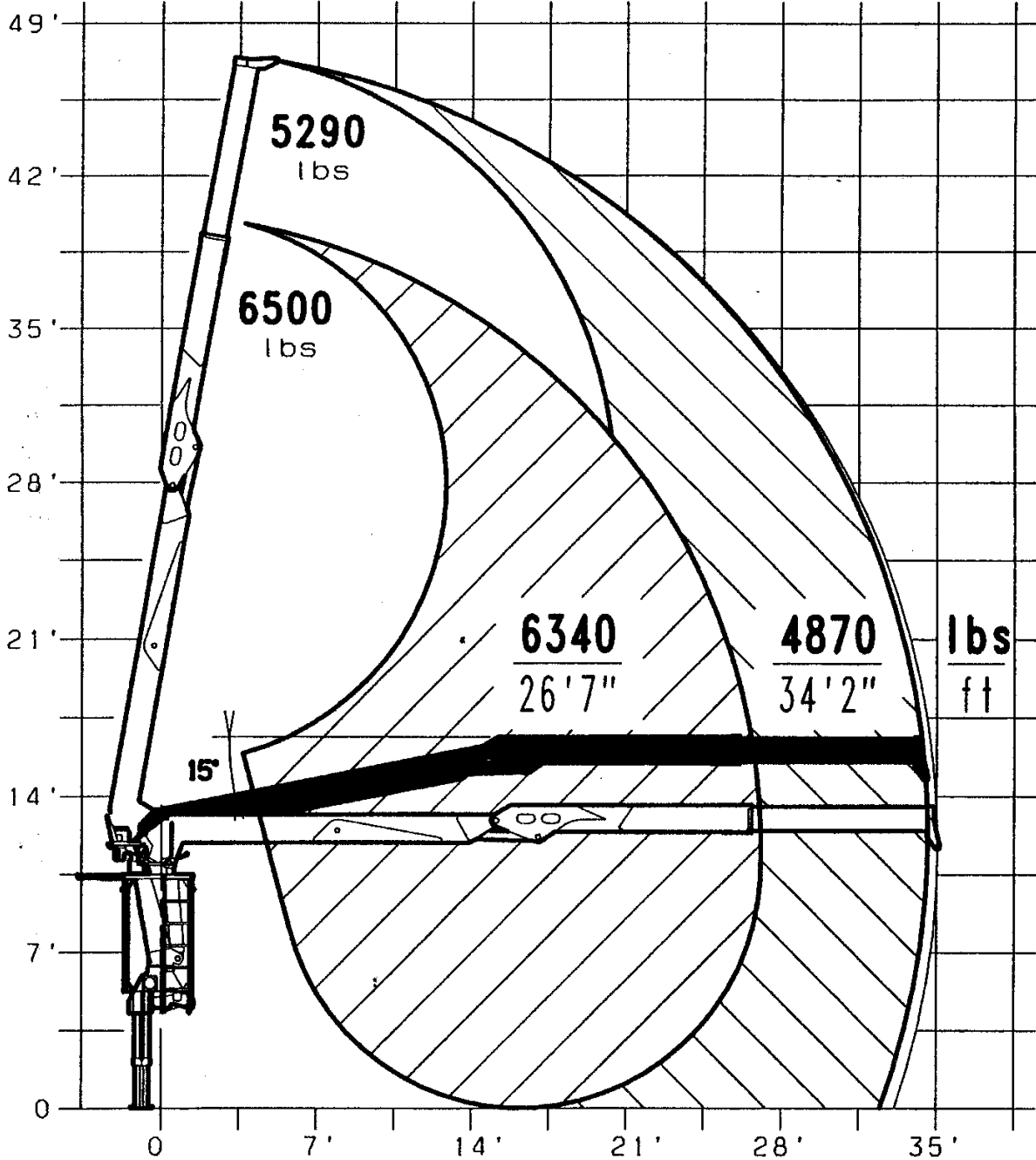


Via dei Carmelitani, 2
 24021 Albino BG
 tel. ++39 35 776400
 fax ++39 35 755020
 www.fassigroup.com
 fassi@fassigroup.com

LOAD DIAGRAM WITH LIFTING MOMENT LIMITING DEVICE

CAPACITY CHART WITH LIFTING MOMENT LIMITING DEVICE

CRANE TYPE
F250SE.21



DO NOT STAY UNDER SUSPENDED LOADS

THE WEIGHT OF WALLBOARD FORK AND ROTATOR MUST BE DEDUCTED FROM LIFTING CHART.

DE4273