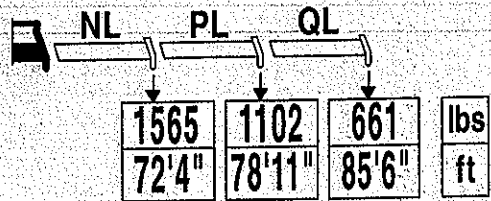
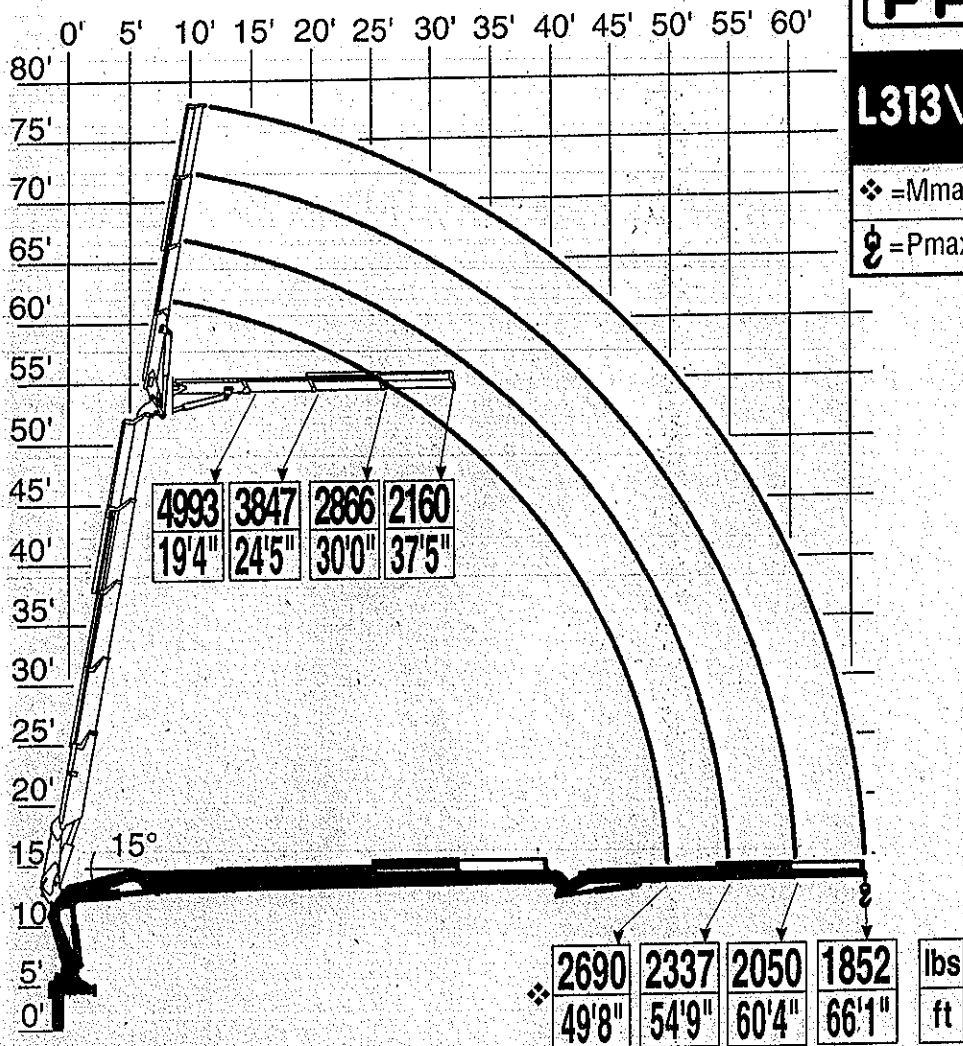


FASSI

L313\F330A.24

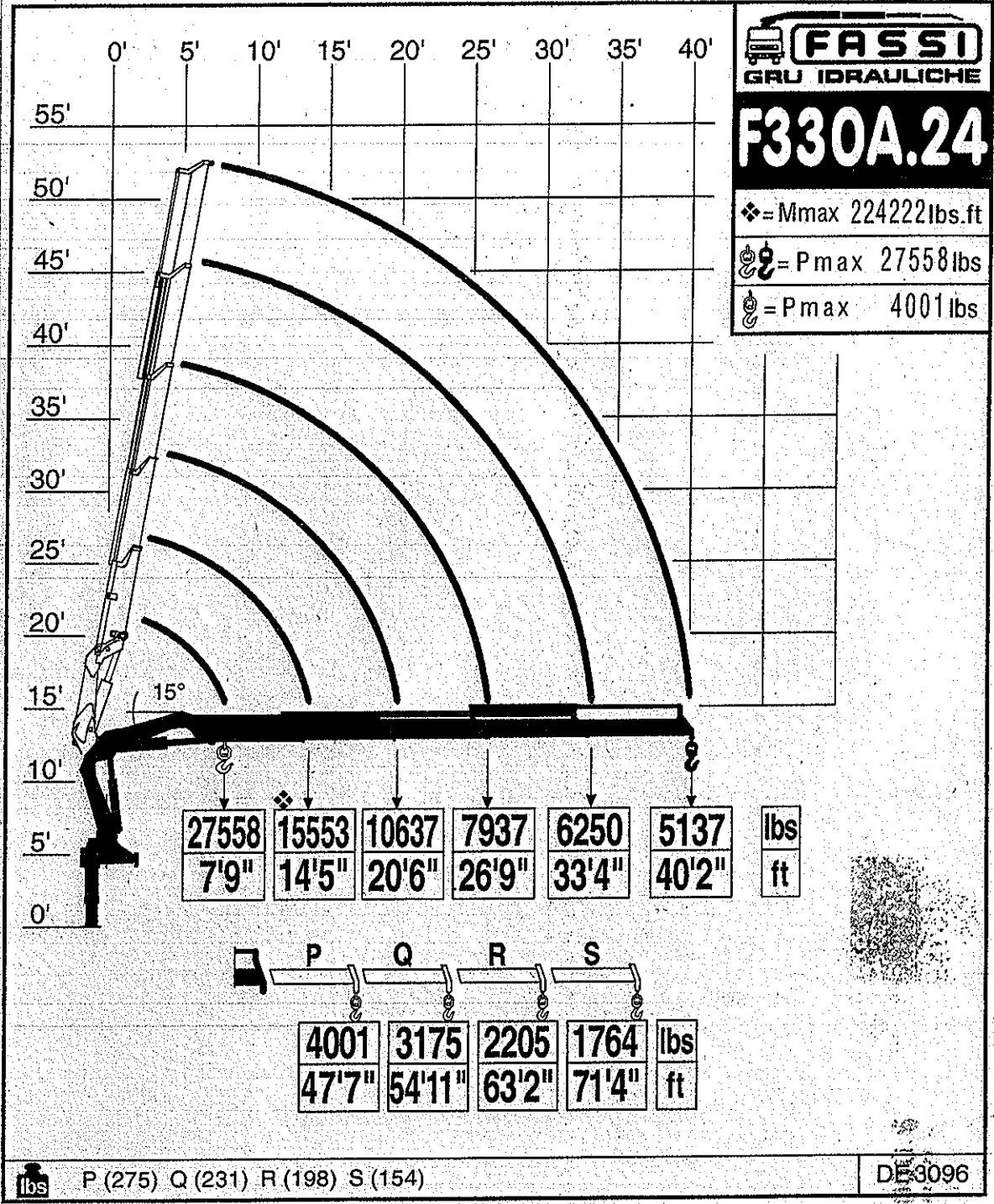
❖ = Mmax 133499 lbs.ft

⊗ = Pmax 6834 lbs



lbs NL (105) PL (70) QL (48)

DE 8563



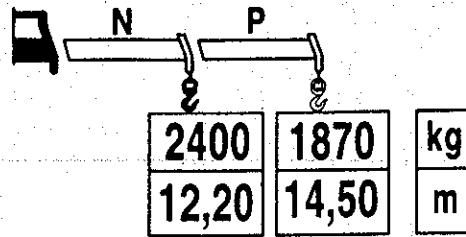
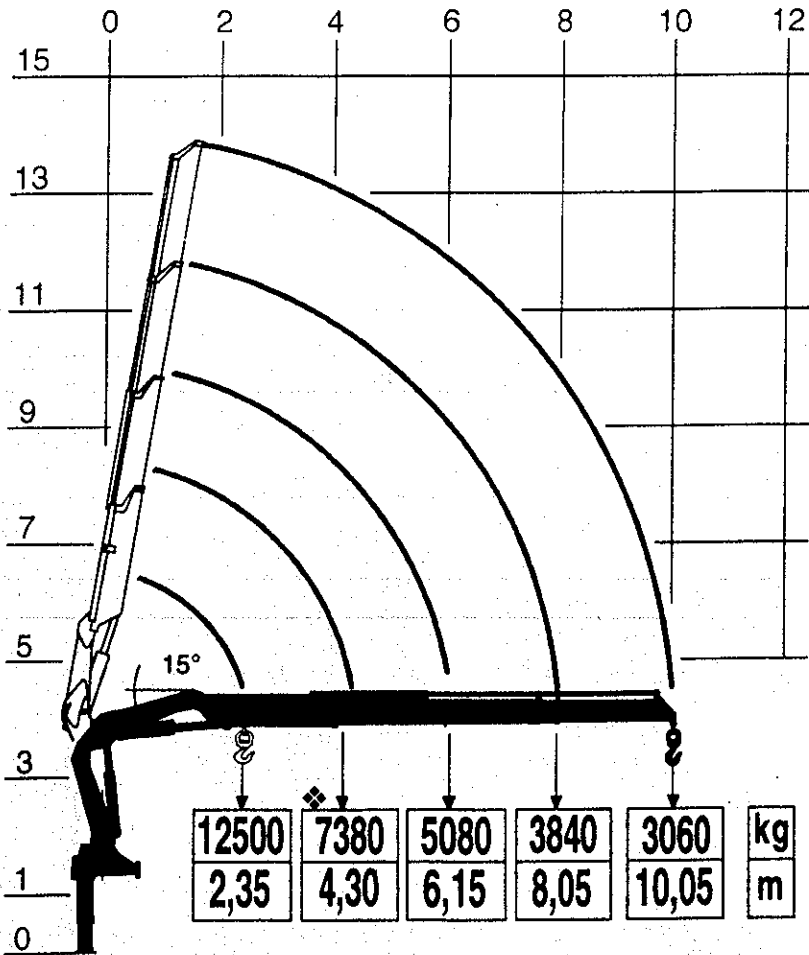
FASSI
GRU IDRAULICHE

F330A.23

❖ = Mmax 311 kNm

⊗ = Pmax 12500 kg

⊙ = Pmax 1870 kg



kg N (140) P (275)

DE 3093