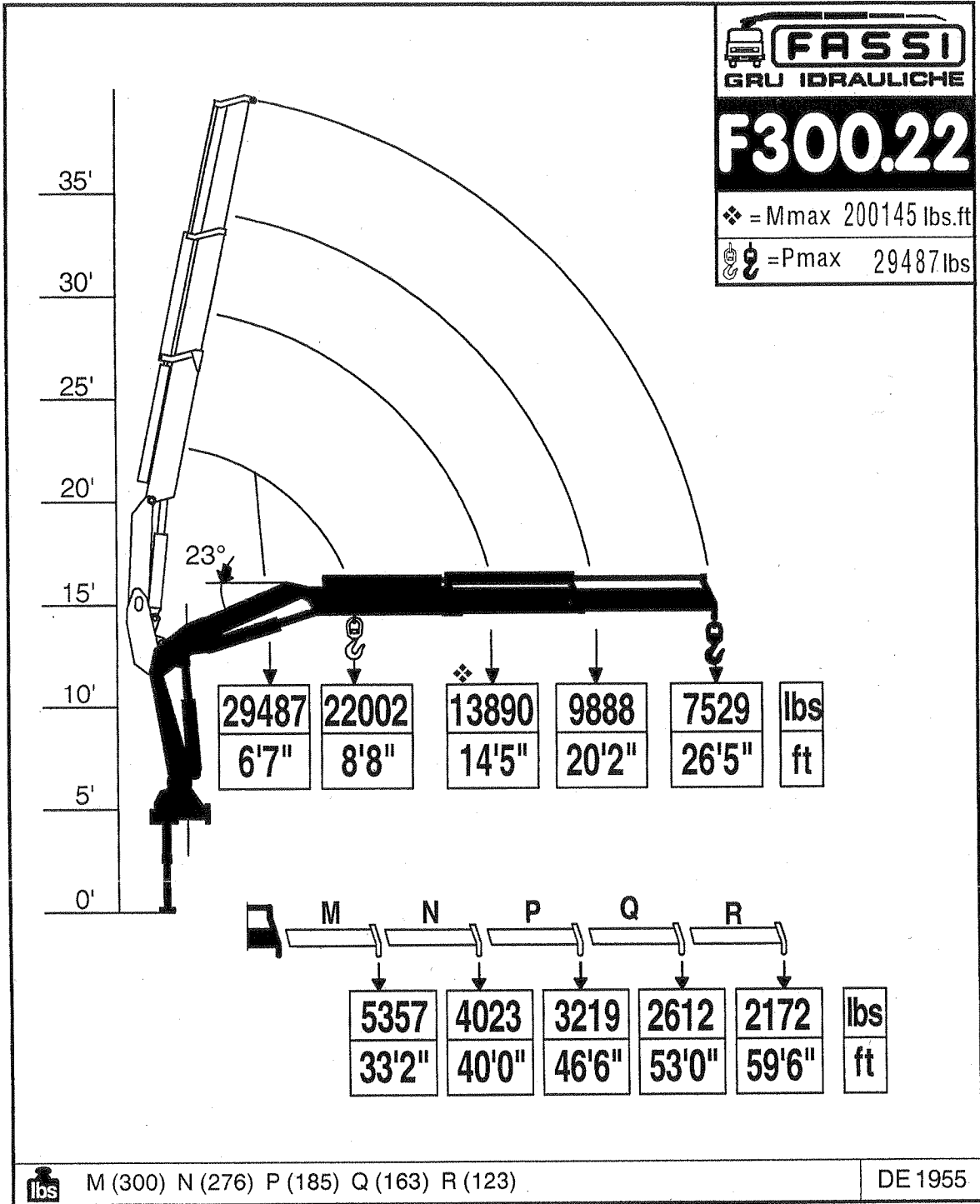


31 MAR. 2006

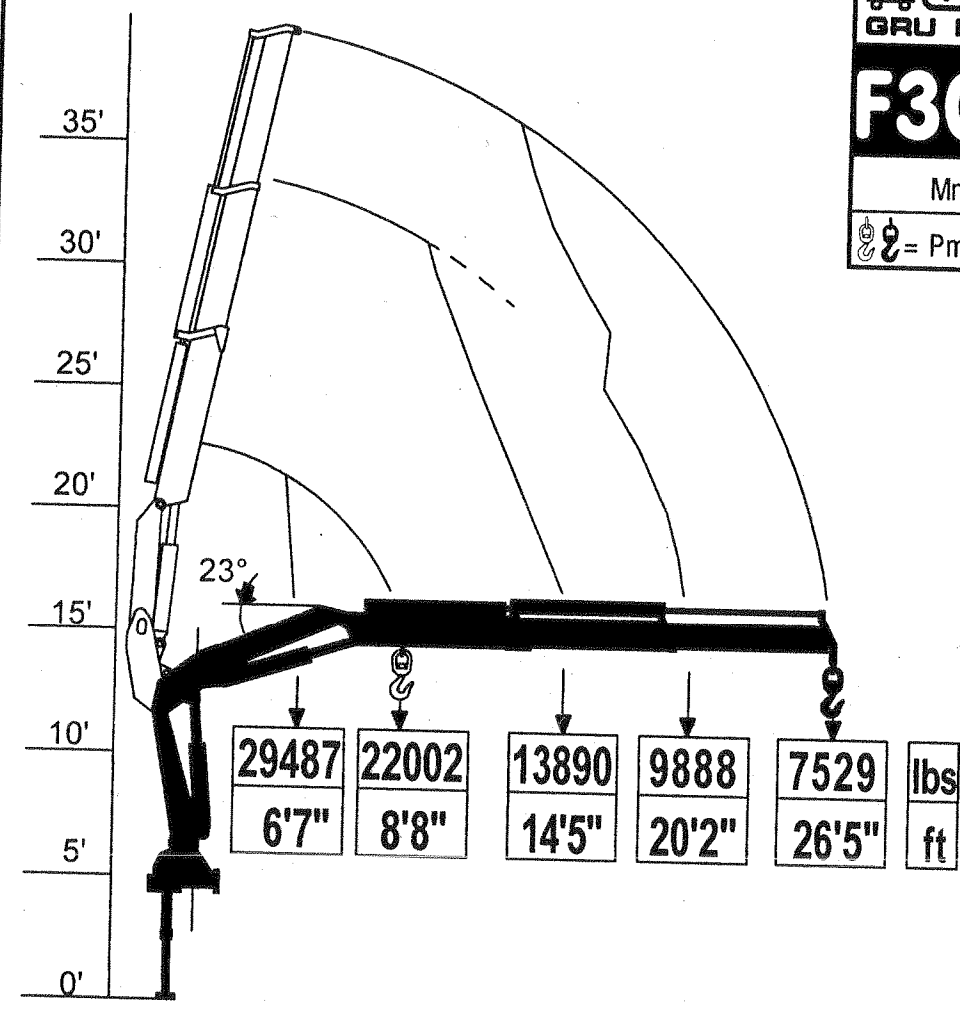


FASSI
GRU IDRAULICHE

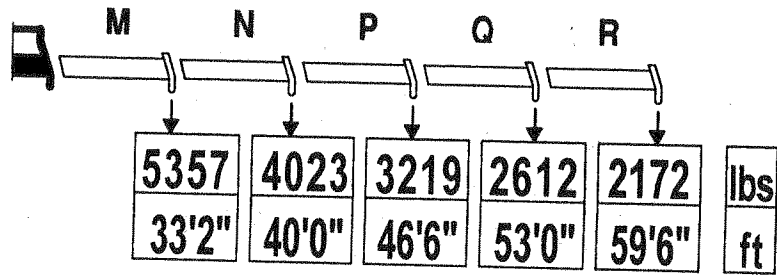
F300.22

Mmax 200145 lbs.ft

= Pmax 29487 lbs



29487	22002	13890	9888	7529	lbs
6'7"	8'8"	14'5"	20'2"	26'5"	ft



5357	4023	3219	2612	2172	lbs
33'2"	40'0"	46'6"	53'0"	59'6"	ft

lbs M (300) N (276) P (185) Q (163) R (123)

DE 1787