

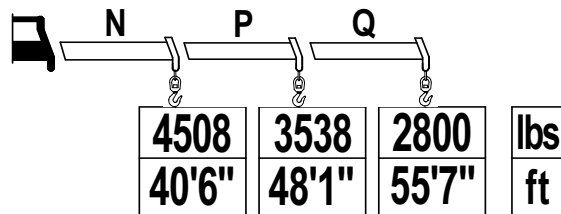
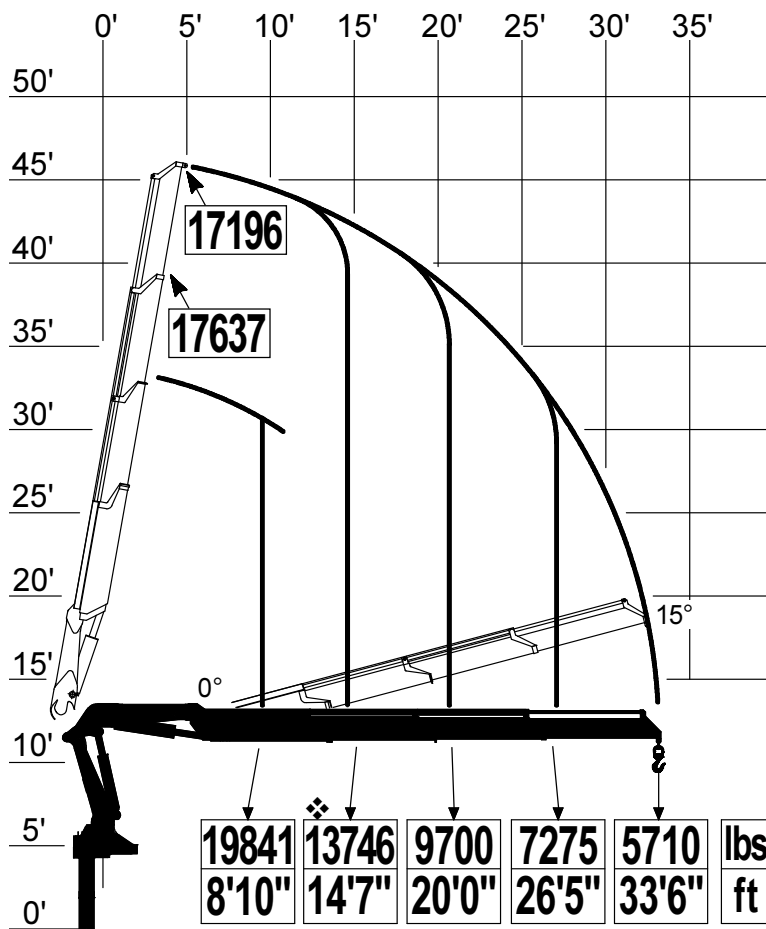
FASSI

F290A.23

❖ = Mmax 200463 lbs.ft

⚙ = Pmax 19841 lbs

⚙ = Pmax 4508 lbs



N (276) P (247) Q (207)

DE 7074