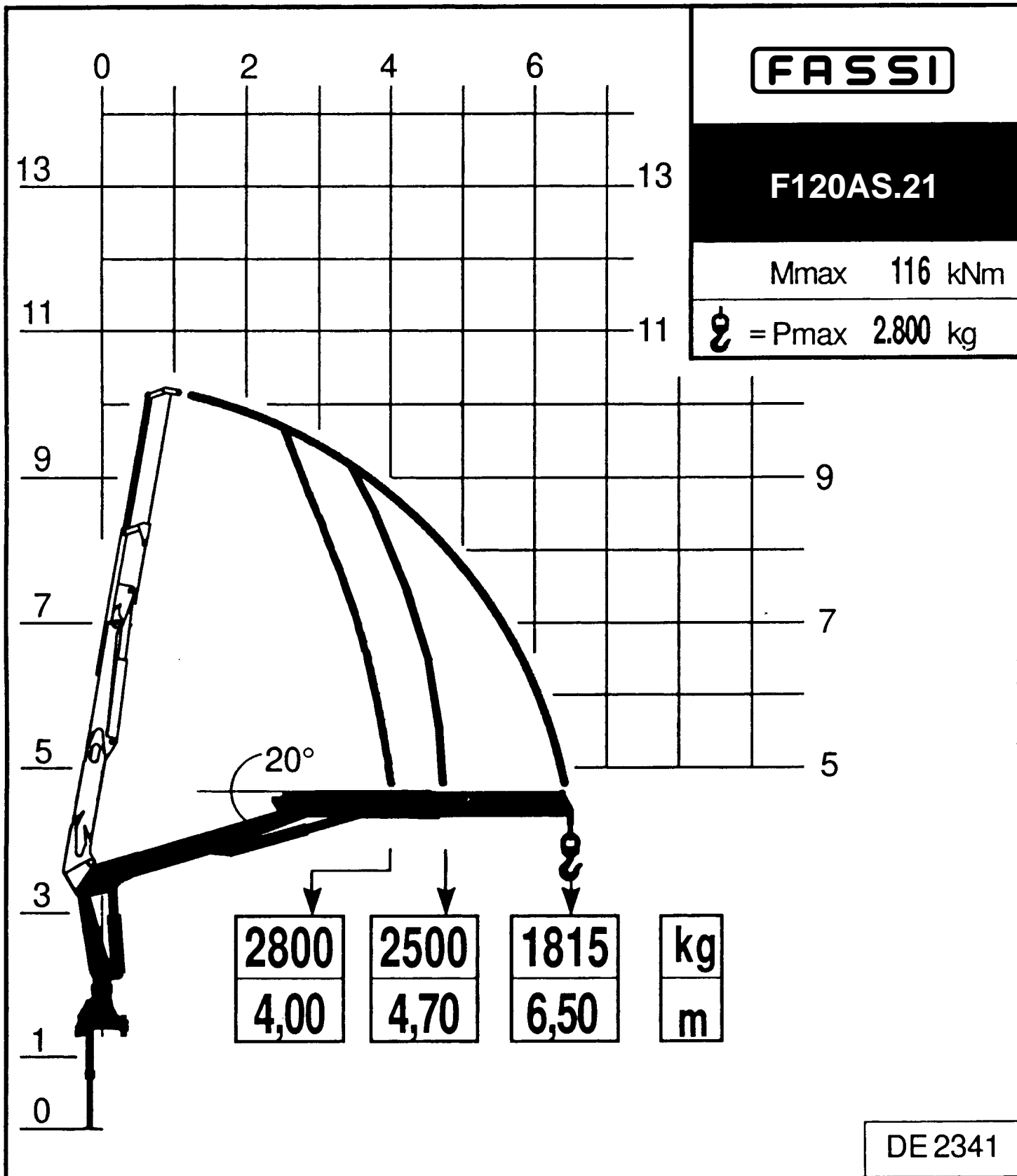
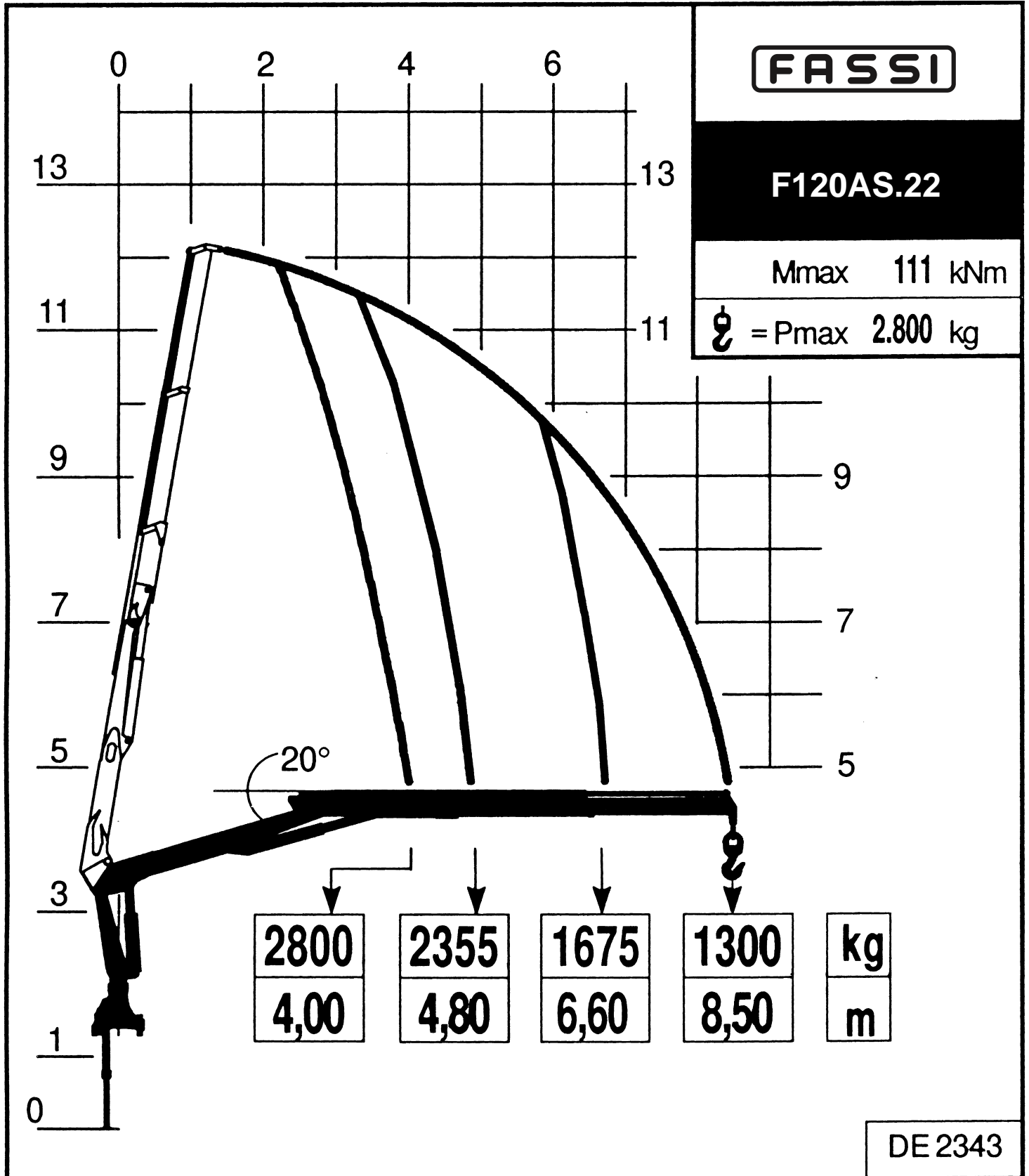


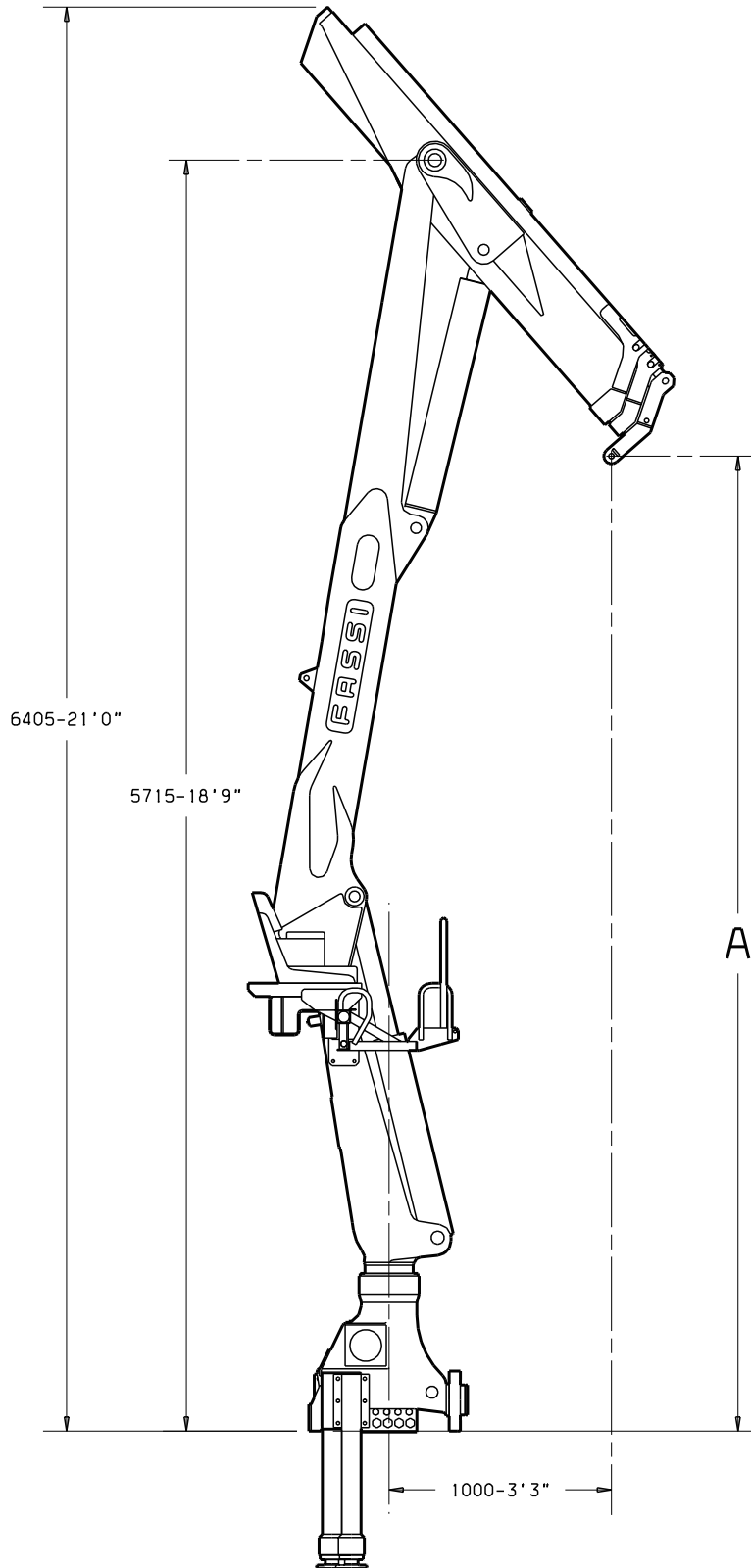
Via dei Carmelitani, 2
 24021 Albino BG
 tel. ++39 35 776400
 fax ++39 35 755020
 www.fassigroup.com
 fassi@fassigroup.com

LOAD DIAGRAM WITH LIFTING MOMENT LIMITING DEVICE





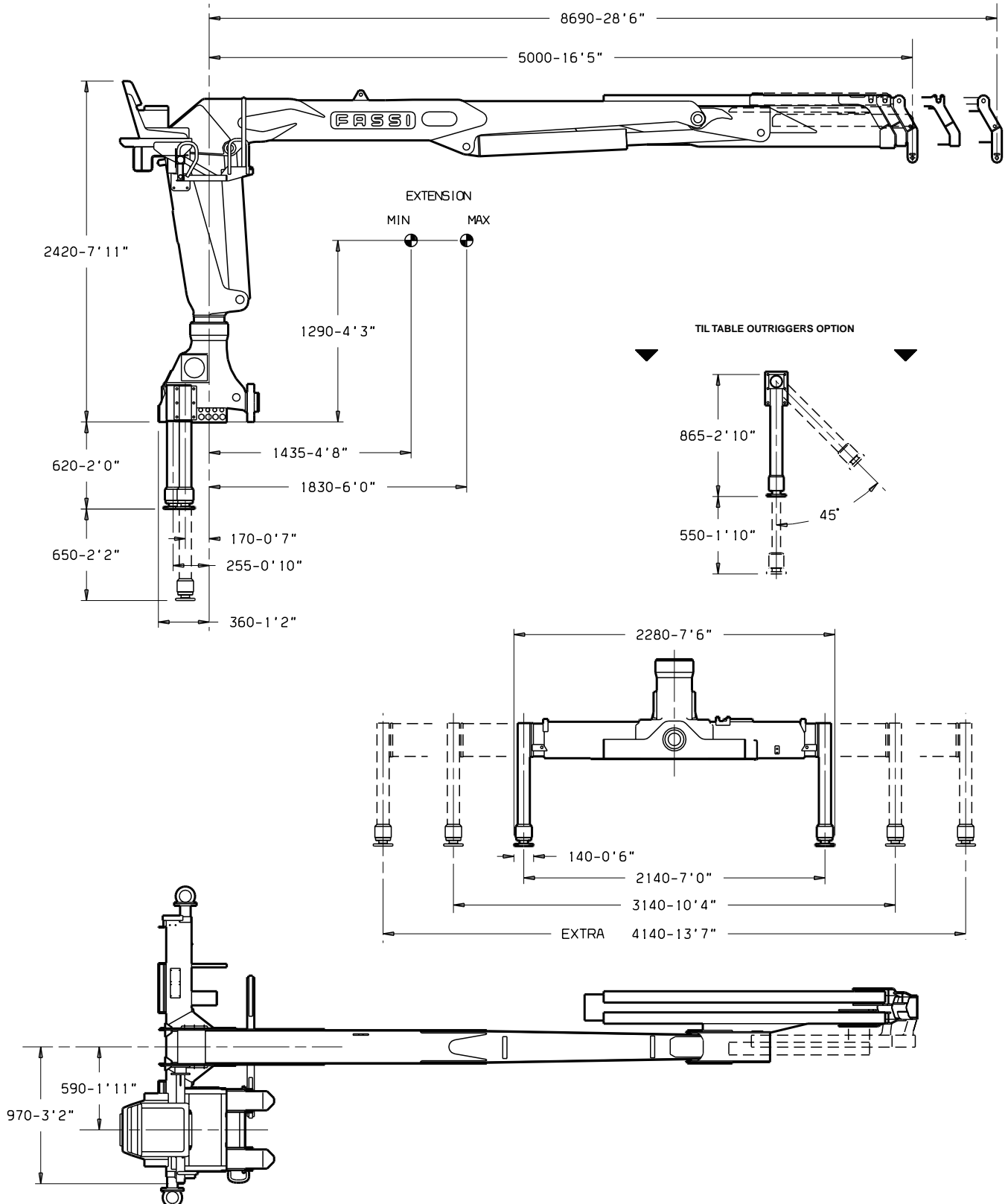
MAXIMUM HEIGHT UNDER HOOK



GRU	A	
F120AS.21	4475	14'8"
F120AS.22	4385	14'5"

Via dei Carmelitani, 2
24021 Albino BG
tel. ++39 35 776400
fax ++39 35 755020
www.fassigroup.com
fassi@fassigroup.com

WEIGHT, DIMENSIONS AND BARYCENTRE POSITION

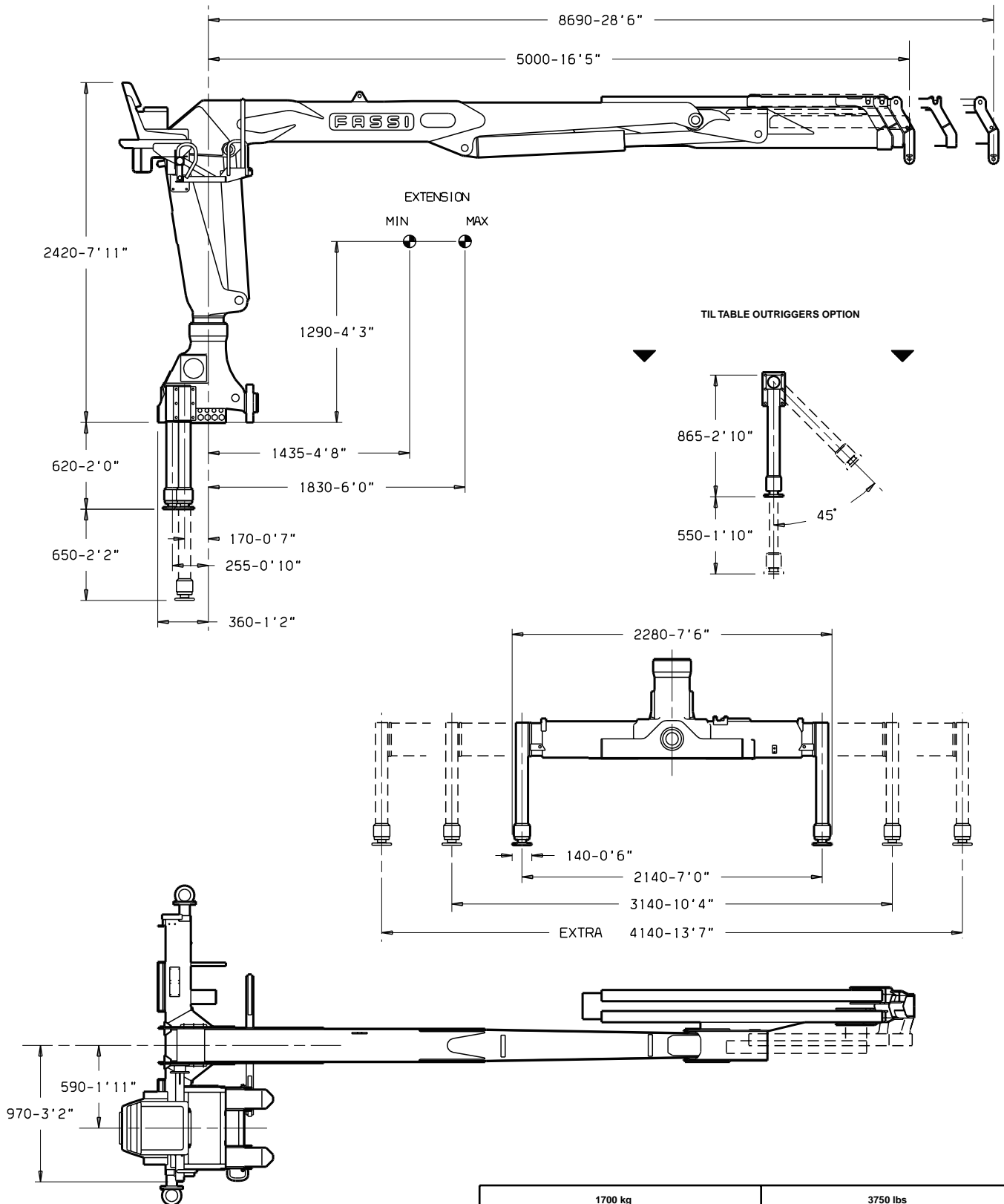


1575 kg	3470 lbs
WEIGHT OF THE CRANE WITH EMPTY TANK, STANDARD STABILIZATION	

Data and descriptions are approximate and not binding

Via dei Carmelitani, 2
24021 Albino BG
tel. ++39 35 776400
fax ++39 35 755020
www.fassigroup.com
fassi@fassigroup.com

WEIGHT, DIMENSIONS AND BARYCENTRE POSITION

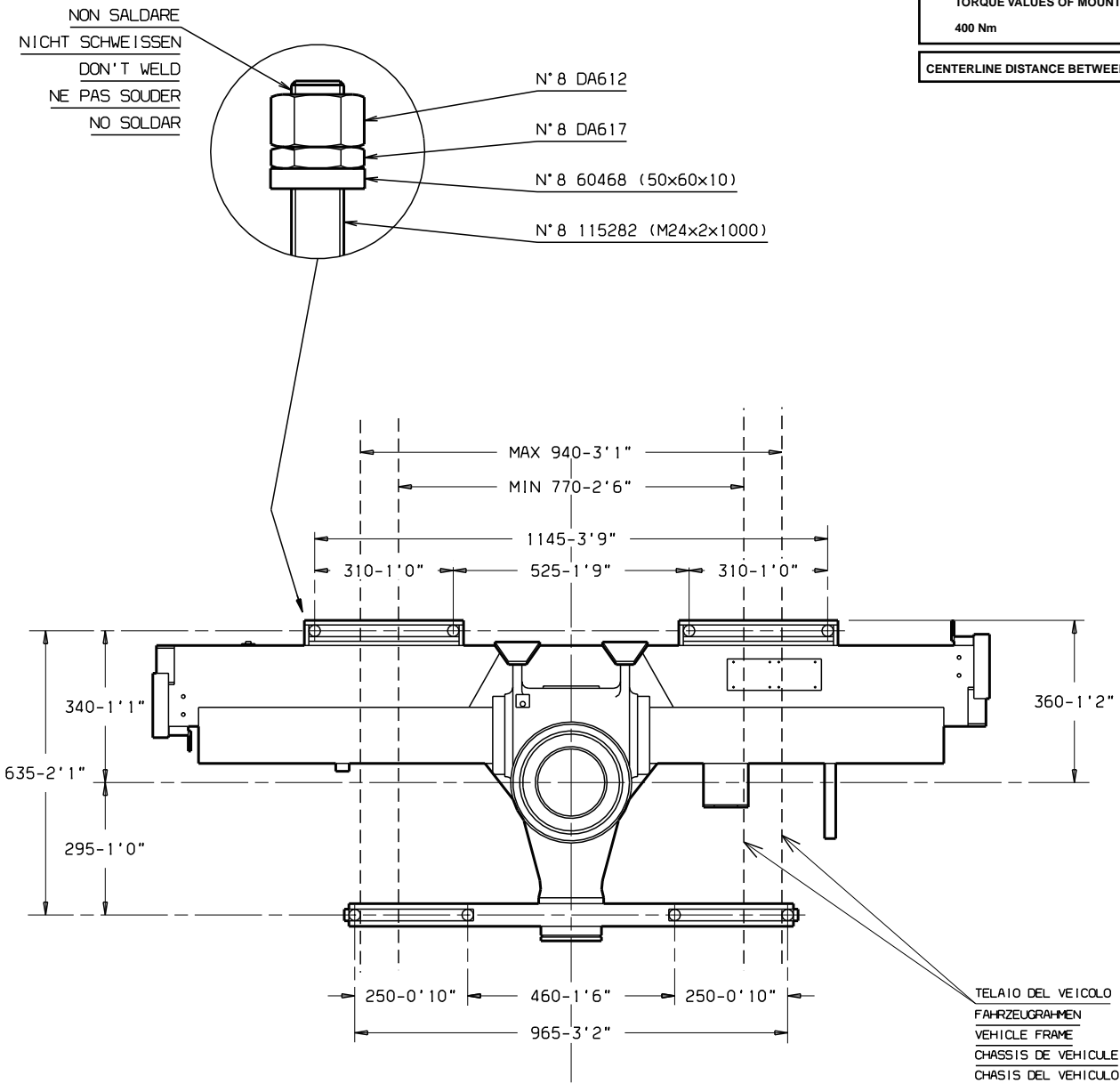


1700 kg	3750 lbs
WEIGHT OF THE CRANE WITH EMPTY TANK, STANDARD STABILIZATION	

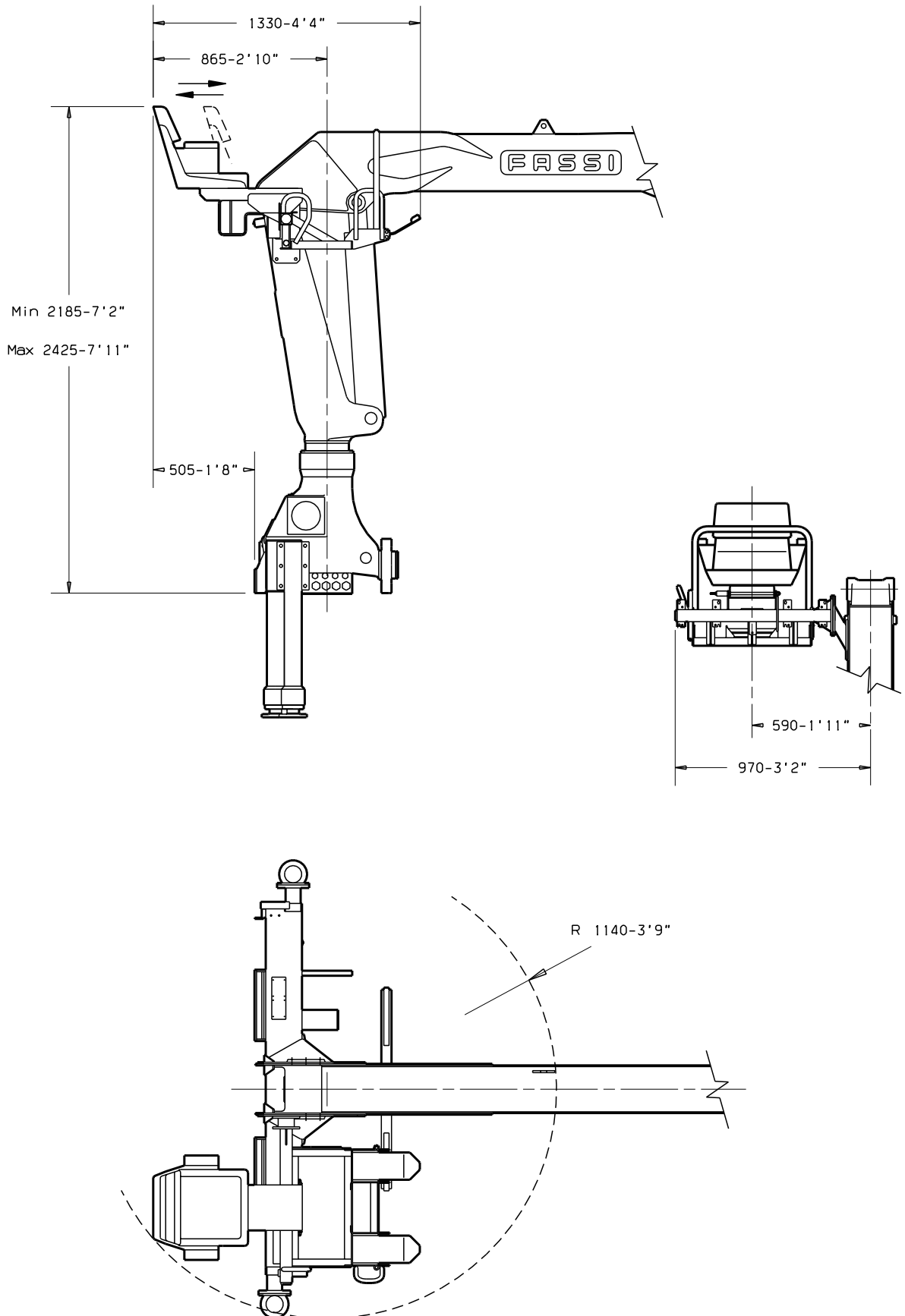
Data and descriptions are approximate and not binding

Via dei Carmelitani, 2
24021 Albino BG
tel. ++39 35 776400
fax ++39 35 755020
www.fassigroup.com
fassi@fassigroup.com

LOCATION OF MOUNTING BOLTS



Via dei Carmelitani, 2
24021 Albino BG
tel. ++39 35 776400
fax ++39 35 755020
www.fassigroup.com
fassi@fassigroup.com

POSITION AND DIMENSIONS OF TOP SEAT ON COLUMN

Via dei Carmelitani, 2
 24021 Albino BG
 tel. ++39 35 776400
 fax ++39 35 755020
 www.fassigroup.com
 fassi@fassigroup.com

INSTALLATION

GRU	A
F120AS.21	10210-33'6"
F120AS.22	12155-39'11"

